

GPMP 2008 101.T.30	KKT. F.	GRID SQUARE(S) 101.T.30	ARCHITECTURE	CONTEXT 21909.
------------------------------	-------------------	-----------------------------------	---------------------	--------------------------

1. Material	1) MUD-BRICK
2. Size of materials	2) VARIED - SEE PLANS & ELEVATION DRAWINGS
3. Finish	3) SQUARE.
4. Coursing/bond	4) NONE PRESENT.
5. Form	5) WALL WITH BUTRESS & PLASTER (29958)
6. Direction of faces	6) WEST & EAST
7. Orientation	7) NW/SE
8. Dimensions	8) FROM SONDAGE 'B' ONLY HEIGHT 14cm. LENGTH 1m 20cm
9. Associated collapse	9) POSSIBLY (29955)
10. Foundations & fills	10) NO CUT VISIBLE. THE SURFACE UPON WHICH IT WAS BUILT (29957) MAY FORM PART OF THE ORIGINAL CUT?
11. Repaired	11) NONE VISIBLE
12. Associated floors	12) NONE VISIBLE.
13. Plastered	13) YES (29958) UPON WEST FACING ELEVATION
14. Wall core	14) NONE.
15. Types of brick (%)	15) 100% MUD-BRICK. 16)
16. Composition of bricks	17)
17. Dimensions of bricks (sample of three)	

Stratigraphic Matrix	Abuts	Above (29957)
29958	Abutted by	Below
21909	Bonded into	
29957	Contiguous with	

INTERPRETATION	Enclosing	Internal	External
Reason for decay	REMAINS OF A WALL WHICH FORMS A LATER ADDITION TO WALL (29957).		
Indications of original dimensions	PLASTERED (29958) ON THE WEST FACING ELEVATION		
Indications of original functions	TWO BUTTRESSES ARE STILL PRESENT. WORK IN SONDAGE 'B' EXCAVATED HALF THROUGH THE NORTHERN ONE. ORIGINAL PURPOSE COULD NOT BE ESTABLISHED FROM THE EXCAVATIONS IN SONDAGE 'B'.		

Associated contexts: (29958) PLASTER. + (29957)

~~Context Nos:~~ 2008-132, 2008-133, 2008-134, 2008-137

Drawing Nos: 2008-131; WEST FACING ELEVATION OF WALL (29957). P21909 X1 FROM SONDAGE 'B'

Photographs (Digital)	Finds		Samples 2008-0454 2 10L. FLOTATION 2008-0455 } 2008-0457 } WET SIEVE. 2008-0458 }
	Bag No.	Type	
511002	2008-0456	POTTERY	Building Complex
			Phase
	Site Book Pages	Checked	Initials Date

Phase: 3

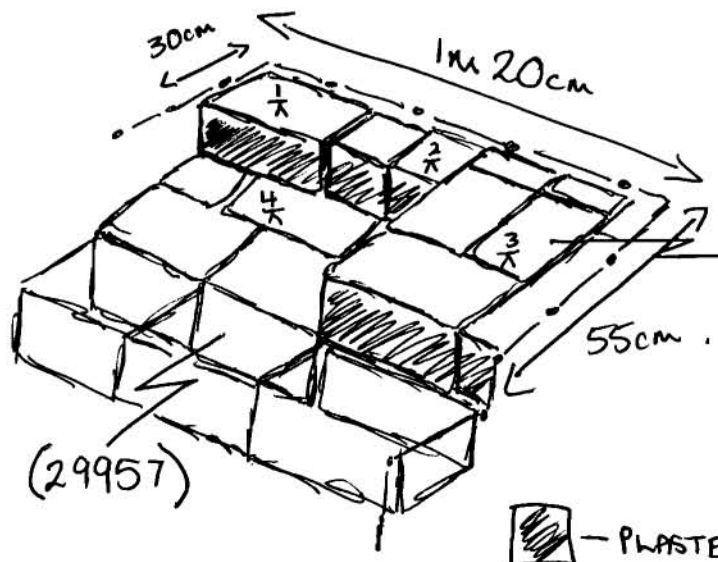
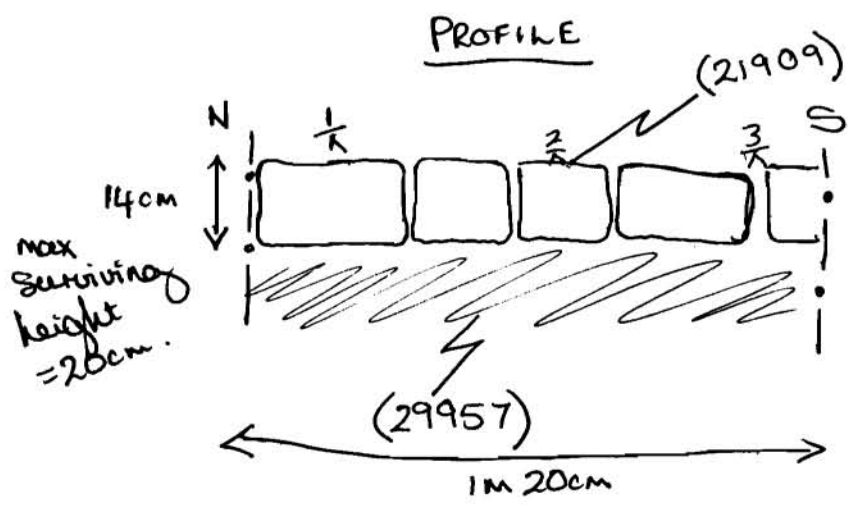
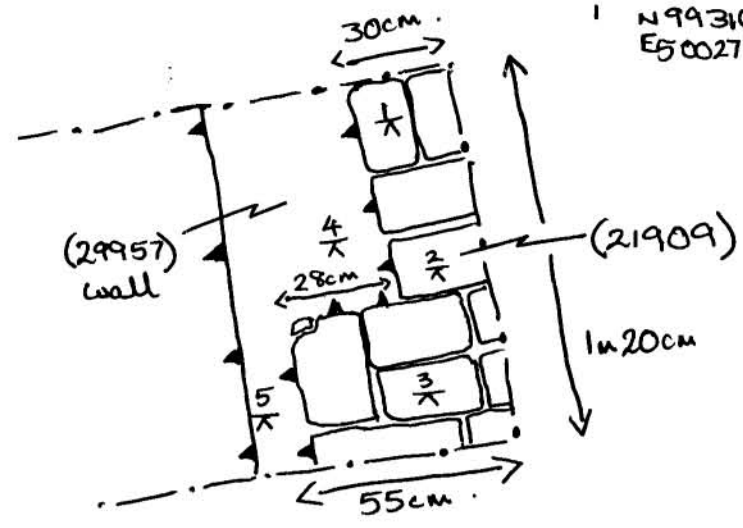
(21909)
 SKETCH PLAN NOT TO SCALE N ↑

SONDAGE 'B'

101.T.30
 N 99310.000
 E 500279.995.

TBM: 18.54
 BS: 2.04
 IH: 20.58

	FS	RL
1/x	2.75	17.83
2/x	2.79	17.79
3/x	2.77	17.81
4/x	2.89	17.69
5/x	2.91	17.67.



▨ - PLASTER (29958)

