

DB ✓
SC

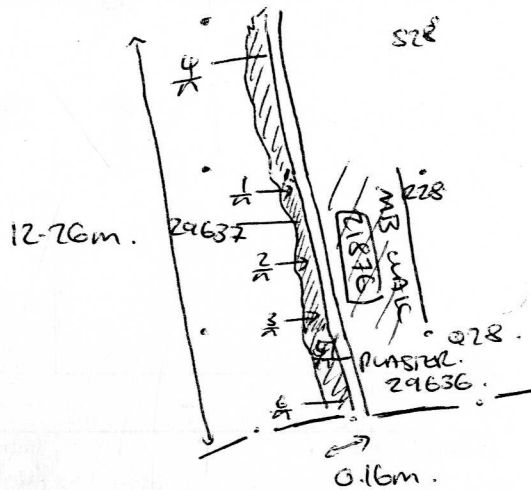
GIZA PLATEAU MAPPING PROJECT

Grid Square(s) 101. G-S28	Area KCT	Context Type DEP.	Central Coords	Context 29637
DEPOSIT				CUT
1. Compaction	① LOOSE			1. Shape in plan
2. Colour	② MID BROWNISH-GREY			2. Corners
3. Composition/Particle Size (Over 10%)	③ FINE SANDY SILT			3. Dimension/Depth
4. Inclusions (Under 10%) occa / mod / freq	④ MOD SM ANG PEBBLES. LENSES/FRAGS DEGRADED MB IS. OCCA SM-MED RCT FRAGS.			4. Break of slope-top
5. Thickness and extent				5. Sides
6. Top and bottom boundaries	⑤ N-S = 12.76m ^{0.16} → E-W = APPROX 0.20m max.			6. Break of slope-base
7. Other comments	⑥ CLEAR			7. Base
8. Method and conditions	⑦ APPEARS TO SEAL PLASTER LINE (NEEDS FURTHER INV. AS MAY)			8. Orientation
BE FILL OF FOUNDATION CUT. SEALS PLASTER (29636)? + CR PLASTER (29638)				9. Inclination of axis
⑧ LEFT IN SITU.				10. Truncated (if known)
Type of feature: DEP				
Stratigraphic Matrix				
This context is	29637			
	29638			
Your interpretation:	Internal	<u>External</u>	Structural	Other (specify)
Your discussion:				
POSS REMNANTS OF COLLAPSE/DEGRADED MB. FROM WALL (21876) LIES TO W OF THIS WALL. SEALING PLASTER. (29636).				
				Placement in square
Context same as:		See contexts:		
Site Book Refs:		Matrix phase:		Initials and date 74 III OR AMY.
Checked Interpretation:				
Provisional period		Group/Phase		Initials and date

11

Context Number 29637	GPMP ICCT-08.
Bag Numbers	
Ceramics	Objects
Environmental Samples & Type 2009-1338	Exotics
Charcoal	
	Other
Bones	
Lithics	
Photographs 510841 = 228 510840 = 328 510860-61 = 028 306269-70 = 12 SQUAD 2009	
Drawings	
Plans 2008-12, 2008-4, 2008-15	Sections
Top Elevation 18.14.	Bottom Elevations 17.68.

Sketch Plan



π	pc
1	17.96
2	17.84
3	17.77
4	18.14.
5	17.76
6	17.68.