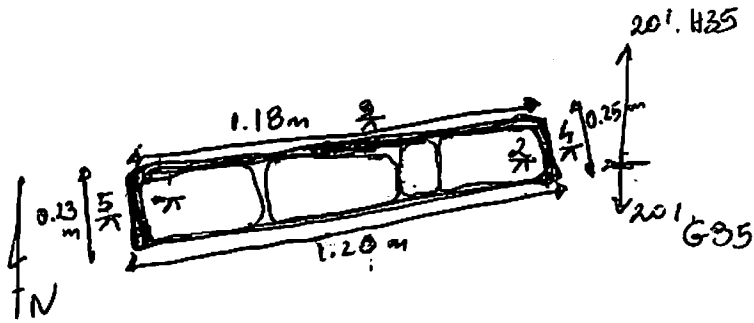


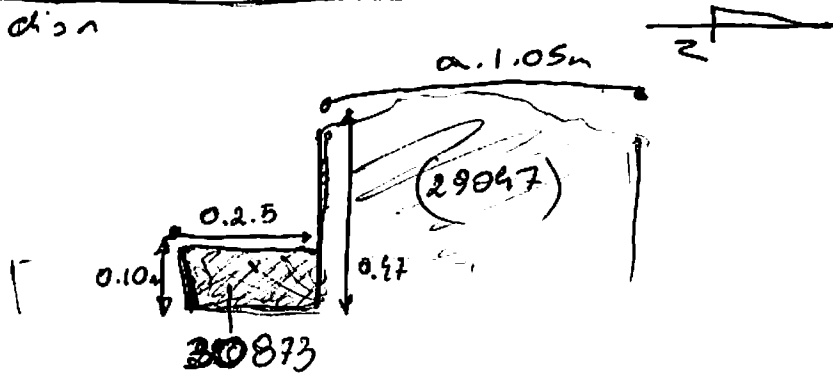
GPMP 2009 <i>Wall</i>	GRID SQUARE(S) 201. H35 - G35	ARCHITECTURE	CONTEXT 30873								
1. Material	1. mud bricks										
2. Size of materials	2. 0.23m x 16.5m x pos. 0.08m										
3. Finish	3. -										
4. Coursing/bond	4. unknown										
5. Form	5. door jamb										
6. Direction of faces	6. N										
7. Orientation	7. E-W										
8. Dimensions	8. EW (at the wall): 1.20m; towards 30856 - 1.18m										
9. Associated collapse	width: W: 0.23m; E: 0.25m; height: from 0.07m										
10. Founds, cuts & fills	(W) to 0.10m (E)										
11. Repaired	9. pos. 30857, pos. 29046										
12. Associated floors	10. - " unknown 12. 20810 30939/340,										
13. Plastered	13. merl: 29048; lime wash: 29049										
14. Wall core	14. - 29048										
15. Types of brick (%)	15. mud bricks; 16. sandy silt 17. see: (2)										
16. Composition of bricks											
17. Dimensions of bricks (sample of three)											
Stratigraphic Matrix		Abuts 29047/30838	Above 29059, 30833								
<table border="1" style="width:100%; height:100px;"> <tr><td style="width:33%;"></td><td style="width:33%; text-align:center;">32429</td><td style="width:33%;"></td></tr> <tr><td style="width:33%;"></td><td style="width:33%; text-align:center;">30873</td><td style="width:33%;"></td></tr> <tr><td style="width:33%;"></td><td style="width:33%; text-align:center;">29048 29055</td><td style="width:33%; text-align:center;">30833</td></tr> </table>		32429			30873			29048 29055	30833	Abutted by -	Below 32429
	32429										
	30873										
	29048 29055	30833									
		Bonded into -									
		Contiguous with 30856									
INTERPRETATION											
Reason for decay	Enclosing Internal External										
Indications of original dimensions	Door jamb opposite of 30873 abutting wall (29047) (or to be exact the line surface 29049); has merl masonry										
Indications of original functions	and lime washed (29049) face;										
29048 32429											
Associated contexts: 30857, 29046, 29048, 29049, 29047											
Context Same As: _____											
Drawing Nos: 30873, 2009-350, 2009-359											
Photographs (Digital)	Finds		Samples								
	Bag No.	Type									
511937			Building Complex								
511938											
511939											
			Phase <u>V</u> / gr. 9718								
	Site Book Pages	Checked	Initials Date								

in plan



TRM	17.70
BS	3.23
11	20.93
FS	NL
1) 3.26	17.67
2) 3.33	17.60
3) 3.38	12.55
4) 3.45	17.48
5) 3.38	17.55

in section



elevation

