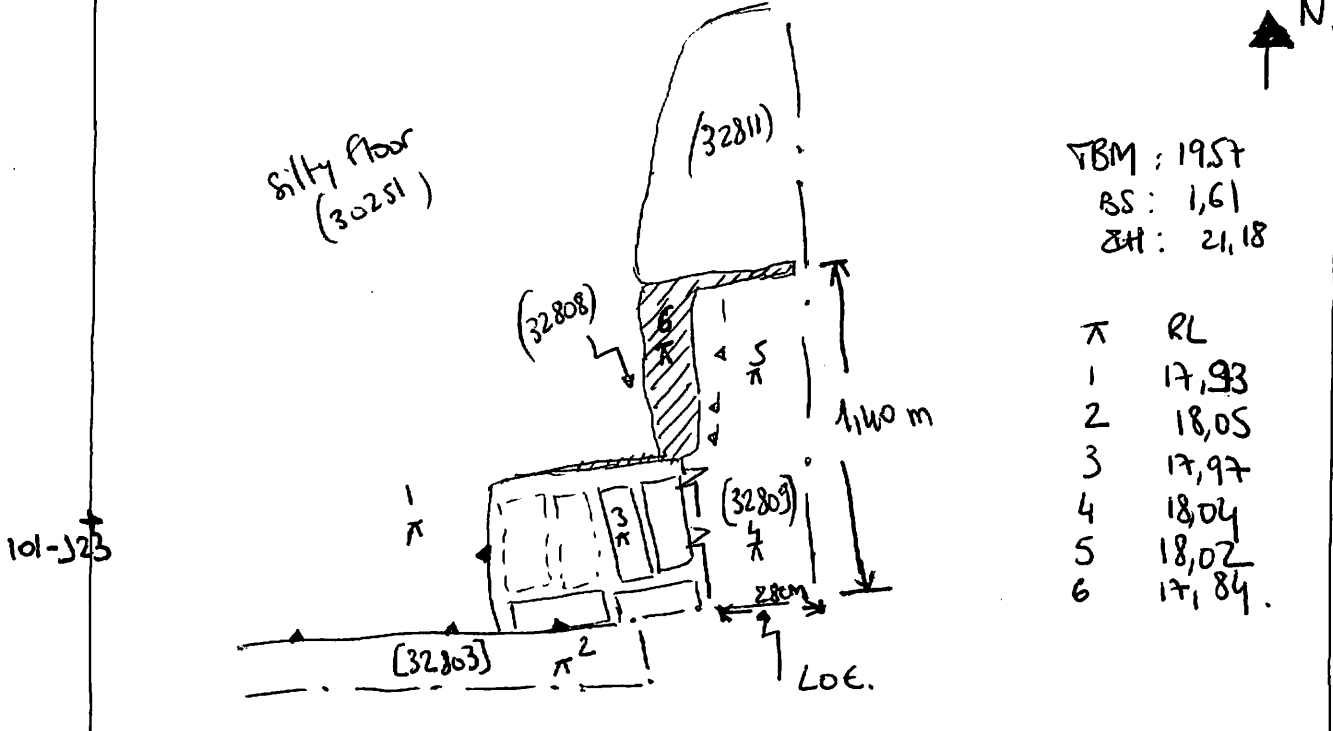


AREA: MVT-E	GRID SQUARE (S): 101-K24 101-I24	GRID CO-ORDINATES: E N	INITIALS & DATE: JEDJ 9-11-2011	FEATURE No.: 32797 32809
FEATURE TYPE (For example wall, staircase, bench, foundation structure, platform etc.): WALL			Full extent visible in plan: Yes NO	
1. Dimensions (in metres)		Length: 1,40 m.	Width: 0,28 m.	Height: 0,22 m.
2. Type of material(s) used		Mudbrick.		
3. Coursing (form of construction)				
4. Orientation		N/S.		
5. Associated collapse		29979.		
6. Cut & fill feature #'s		-		
7. Repaired?				
8. Associated floors		(30251)		
9. Surface treatments? E.g. plaster, paint, mouldings		yellow Plaster (32808)		
10. Size of one component				
11. Bonding material				
12. Excavated		Yes /No		
Mini stratigraphic matrix		Abuts: 32803 ? 32809 ?		Same as:
<pre> graph TD A[] --- B[32809] B --- C[32807] B --- D[32808] B --- E[] B --- F[] </pre>		Abutted by:		Associated features: 32808 32803 ?
		Bonded into:		
		Contiguous with:		
Discussion and interpretation:				
<p>N/S Mudbrick wall, plastered (32808). The Eastern part is not excavated. The wall is in relation with the buttress (32807) to the West and the old mudbrick wall [32803] to the South, difficult to say what's happened here because this part is unexcavated.</p>				

Remember: do not just draw the architectural feature in isolation. Show how it relates to surrounding features and include details of surface treatments, repairs/modifications/damage, bonding material(s), and associated cuts. Annotate all aspects of the feature or use a Drawing Key. Measurements must be included for all aspects of the feature and surrounding features.

Sketch Plan - Include grid co-ordinates, North arrow, and elevations.



Profile Sketch - State direction the elevation of the feature being drawn is facing e.g. 'West Facing Elevation of Feature If feature was drawn in section then include the grid co-ordinates and elevations.

Drawing No.'s: 2011-82	Photo No.'s: 613187 - 88 - 613190-91
Space No.:	Structure No.:
Matrix Group:	Matrix Phase:
Samples taken:	