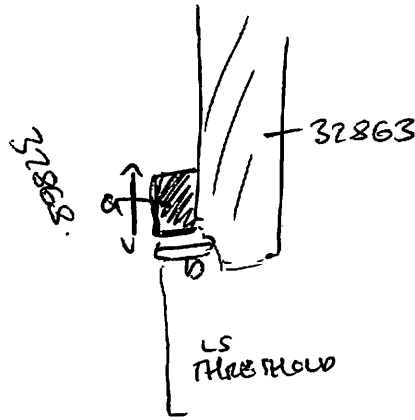


AREA: MWB	GRID SQUARE (S): 101. K21.	GRID CO-ORDINATES: E N	INITIALS & DATE: 27-11 ANP	FEATURE No.: 32868									
FEATURE TYPE (For example wall, staircase, bench, foundation structure, platform etc.): MB. BUTTRISS.			Full extent visible in plan: <input checked="" type="radio"/> YES / <input type="radio"/> NO										
1. Dimensions (in metres)		Length: 0.66m. (CN-S)	Width: 0.52m.	Height: 0.16m. 1842 mm.									
2. Type of material(s) used		CEM MUD-BRICKS											
3. Coursing (form of construction)		HEADER (3 BRICKS)											
4. Orientation		N-S.											
5. Associated collapse		—											
6. Cut & fill feature #'s		CONST CUT = [32867] BACKFILL = [32869]											
7. Repaired?		—											
8. Associated floors		(32866)											
9. Surface treatments? E.g. plaster, paint, mouldings		GROSSLY MUD RENDON TO S = 30mm THICKNESS REASON TO N BUT MAY BE RE-USED BRICK											
10. Size of one component		300mm x 195mm x 90mm 310mm x 160mm x 100mm.											
11. Bonding material		GREY SANDY PUT W/ AND GRAVEL INCLUSION											
12. Excavated		Yes/No <input checked="" type="radio"/> No											
Mini stratigraphic matrix <table border="1" style="width: 100%; text-align: center;"> <tr> <td style="width: 20%; height: 20px;"></td> <td style="width: 20%; height: 20px;">32869</td> <td style="width: 20%; height: 20px;"></td> </tr> <tr> <td></td> <td style="border-top: 1px solid black;">32868</td> <td></td> </tr> <tr> <td style="border-top: 1px solid black;"></td> <td style="border-top: 1px solid black;">[32867]</td> <td style="border-top: 1px solid black;"></td> </tr> </table>			32869			32868			[32867]		Abuts: 32863. Abutted by: Bonded into: Contiguous with: Same as: Associated features: CONST		
	32869												
	32868												
	[32867]												
Discussion and interpretation: BUTTRISS TO VESTIBULE ENTRANCES													

Remember: do not just draw the architectural feature in isolation. Show how it relates to surrounding features and include details of surface treatments, repairs/modifications/damage, bonding material(s), and associated cuts. Annotate all aspects of the feature or use a Drawing Key. Measurements must be included for all aspects of the feature and surrounding features.

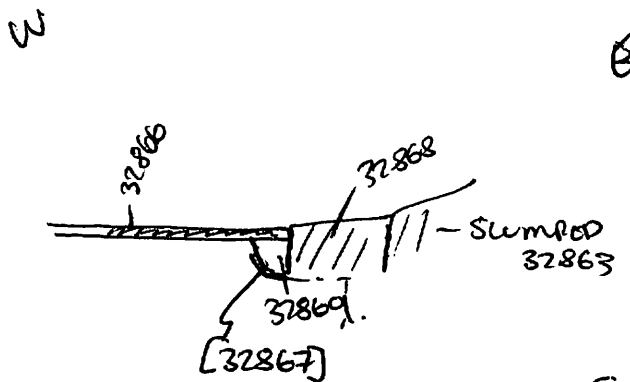
Sketch Plan - Include grid co-ordinates, North arrow, and elevations.



$a = 0.66m$

$b = 0.82m$

Profile Sketch - State direction the elevation of the feature being drawn is facing e.g. 'West Facing Elevation of Feature If feature was drawn in section then include the grid co-ordinates and elevations.



S. FACING
SKETCH
SECTION.

Drawing No.'s:

211-92

Photo No.'s:

Space No.:

111 22.

Structure No.:

15169.

Matrix Group:

Matrix Phase:

Samples taken: