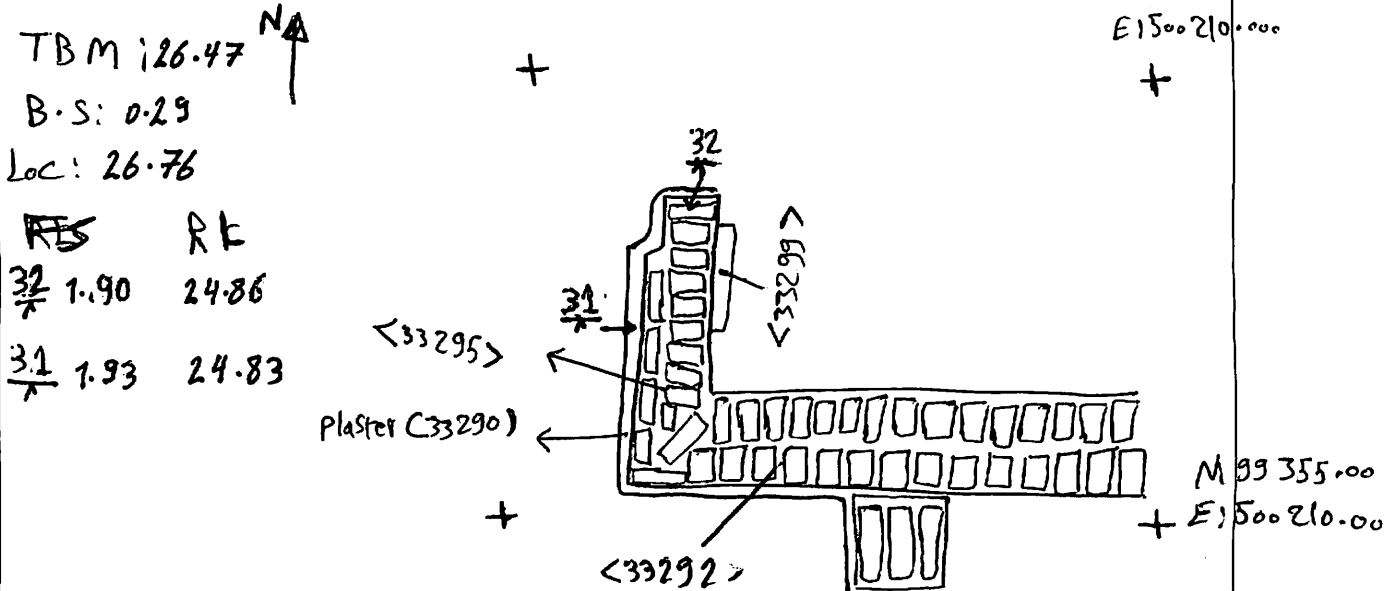


AREA: KKTN	GRID SQUARE (S): 201D16	GRID CO-ORDINATES: E N	INITIALS & DATE: HAAA - HFAA 22/11/2012	FEATURE No.: 33295									
FEATURE TYPE (For example wall, staircase, bench, foundation structure, platform etc.): wall			Full extent visible in plan: yes <input checked="" type="radio"/> YES / NO										
1. Dimensions (in metres)		Length: 2.20 M	Width: 0.60 M	Height: 0.03 m									
2. Type of material(s) used		Mud Brick											
3. Coursing (form of construction)		TWO COURSES OF mud brick the eastern face is headers and western face is stretchers											
4. Orientation		N-S											
5. Associated collapse		—											
6. Cut & fill feature #'s		—											
7. Repaired?		—											
8. Associated floors		—											
9. Surface treatments? E.g. plaster, paint, mouldings		Plastered by (33290)											
10. Size of one component		L: 0.40 M X W: 0.18 M 0.40 M X 0.18 M											
11. Bonding material		sandy silt											
12. Excavated		Yes/No Not excavated											
Mini stratigraphic matrix		Abuts: Same as:											
<table border="1"> <tr> <td></td> <td>33290</td> <td></td> </tr> <tr> <td></td> <td>33295</td> <td></td> </tr> <tr> <td></td> <td></td> <td></td> </tr> </table>			33290			33295					Abutted by: <33299> Associated features: Bonded into: <33292> Contiguous with:		
	33290												
	33295												
Discussion and interpretation:													
<p>It is a wall of mudbrick, two courses, the eastern face is headers, and the western face is stretchers. we notice that this wall is abuted by the door jamb <33299> in its eastern face, and it is bonding into the wall <33292>. it forms a part of the western wall of the room ³³²⁸⁸ <3348> and the western wall of the room (44) and coated with a plaster (33290). 11289</p>													

Remember: do not just draw the architectural feature in isolation. Show how it relates to surrounding features and include details of surface treatments, repairs/modifications/damage, bonding material(s), and associated cuts. Annotate all aspects of the feature or use a Drawing Key. Measurements must be included for all aspects of the feature and surrounding features.

Sketch Plan - Include grid co-ordinates, North arrow, and elevations.



Profile Sketch - State direction the elevation of the feature being drawn is facing e.g. 'West Facing Elevation of Feature If feature was drawn in section then include the grid co-ordinates and elevations.

Drawing No.'s: 2012-1	Photo No.'s: 512461
Space No.: 11287 - 11288 11289 - 11288	Structure No.: House C
Matrix Group:	Matrix Phase: 4b
Samples taken:	