

AREA: KKT-N	GRID SQUARE (S): D16	GRID CO-ORDINATES: E N	INITIALS & DATE: EMS	FEATURE No.: 33300
FEATURE TYPE (For example wall, staircase, bench, foundation structure, platform etc.): doorJamb			Full extent visible in plan: <input checked="" type="radio"/> YES / NO	
1. Dimensions (in metres)	Length: 0.6m	Width: 0.15m	Height: 0.03m	
2. Type of material(s) used	mudbrick			
3. Coursing (form of construction)	one remain course stretch and headers			
4. Orientation	N-S			
5. Associated collapse	-			
6. Cut & fill feature #'s	-			
7. Repaired?	-			
8. Associated floors	-			
9. Surface treatments? E.g. plaster, paint, mouldings	33301			
10. Size of one component	0.40 x 0.15 m			
11. Bonding material	sandy silt			
12. Excavated	Yes <input checked="" type="radio"/> No <input type="radio"/> Not Excavated			
Mini stratigraphic matrix		Abuts: 33294 Same as: 33299		
<input type="checkbox"/>	<input type="checkbox"/> 33301 <input type="checkbox"/>	Abutted by: Associated features:		
	<input type="checkbox"/> 33300 <input type="checkbox"/>	Bonded into:		
<input type="checkbox"/>	<input type="checkbox"/> 33294 <input type="checkbox"/>	Contiguous with:		
Discussion and interpretation:				
<p>it's one visible course of mudbrick abut the N-S mudbrick wall < 33294 > formed a doorjamb in space or room 48 11288</p>				

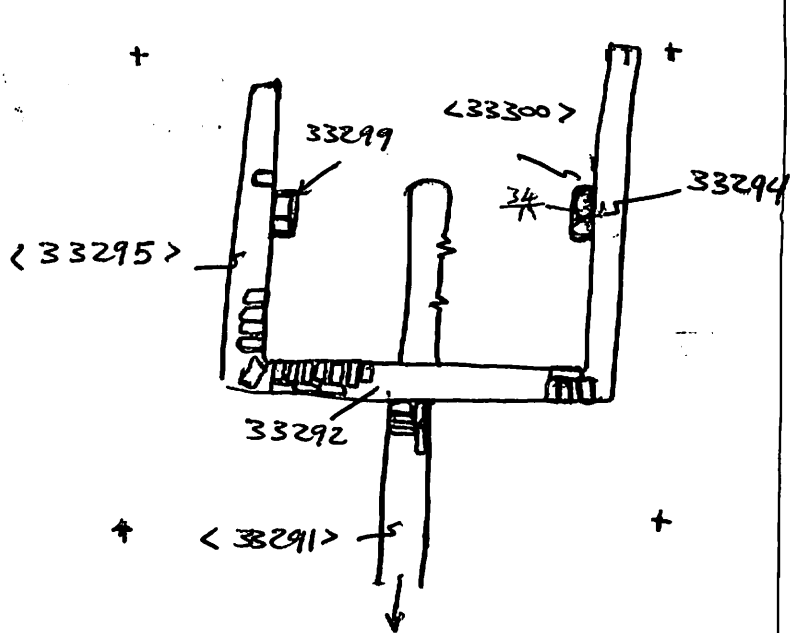
Remember: do not just draw the architectural feature in isolation. Show how it relates to surrounding features and include details of surface treatments, repairs/modifications/damage, bonding material(s), and associated cuts. Annotate all aspects of the feature or use a Drawing Key. Measurements must be included for all aspects of the feature and surrounding features.

Sketch Plan - Include grid co-ordinates, North arrow, and elevations.

TBM 26.47
 B.S .029
 LOC 26.76
 F.S RL

34
 K

2.09 24.67



Profile Sketch - State direction the elevation of the feature being drawn is facing e.g. 'West Facing Elevation of Feature If feature was drawn in section then include the grid co-ordinates and elevations.

Drawing No.'s: 2012-1	Photo No.'s: 512476
Space No.: 1288	Structure No.: House C
Matrix Group:	Matrix Phase: 4b
Samples taken:	