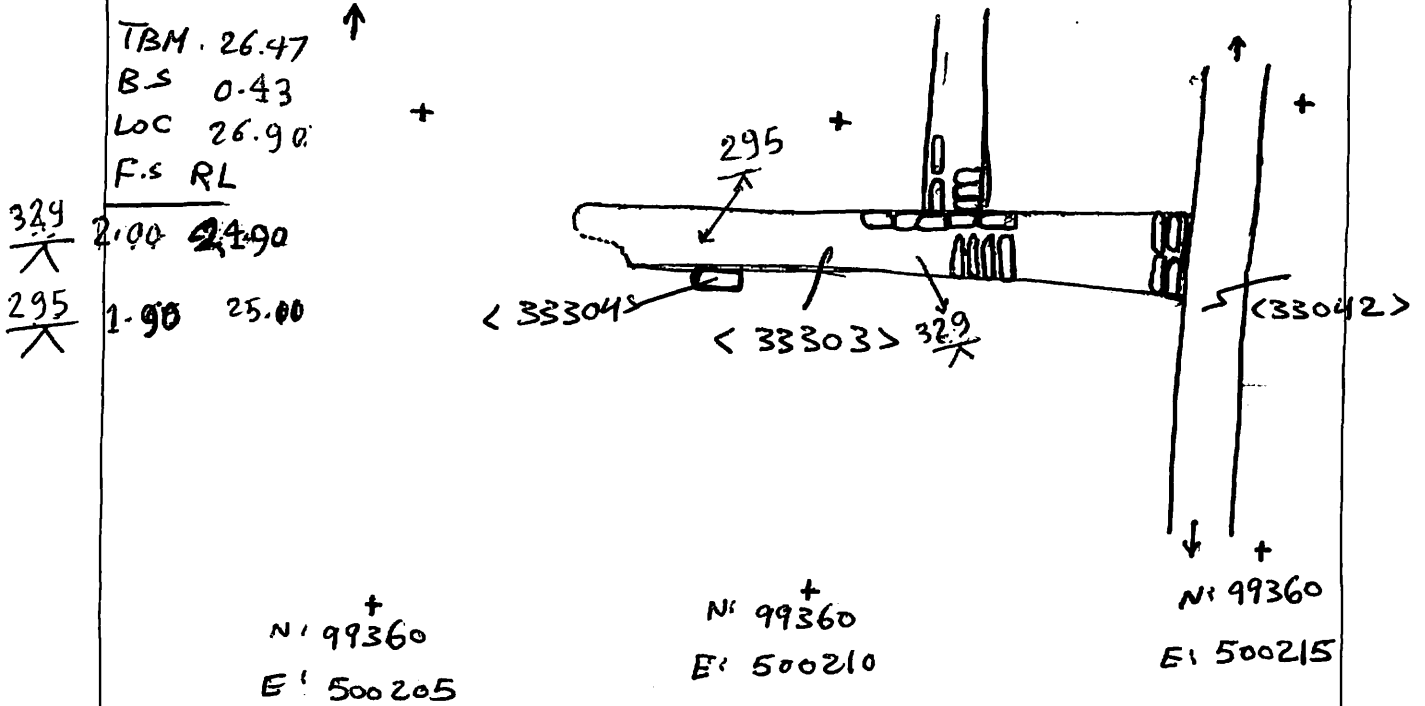


| | | | | | | | | | | | | | | | | | | | |
|---|--|--|---|------------------------------|--|--|--|--|--------------|--|--|--|--|--------------------------|--------------|--------------------------|----------------------------------|--|--|
| AREA: KKT-N | GRID SQUARE (S): 201 E 17 201 E 16 | GRID CO-ORDINATES: E N | INITIALS & DATE: EMS 22/2/12 | FEATURE No.: 33303 | | | | | | | | | | | | | | | |
| FEATURE TYPE (For example wall, staircase, bench, foundation structure, platform etc.): wall | | | Full extent visible in plan: <input checked="" type="radio"/> YES / NO | | | | | | | | | | | | | | | | |
| 1. Dimensions (in metres) | | Length: 6.80 m | Width: 0.70 m | Height: 0.10 m | | | | | | | | | | | | | | | |
| 2. Type of material(s) used | | mudbrick | | | | | | | | | | | | | | | | | |
| 3. Coursing (form of construction) | | 2 headers side by side till 2.70 from East | | | | | | | | | | | | | | | | | |
| 4. Orientation | | E-W | | | | | | | | | | | | | | | | | |
| 5. Associated collapse | | - | | | | | | | | | | | | | | | | | |
| 6. Cut & fill feature #'s | | - | | | | | | | | | | | | | | | | | |
| 7. Repaired? | | - | | | | | | | | | | | | | | | | | |
| 8. Associated floors | | - | | | | | | | | | | | | | | | | | |
| 9. Surface treatments? E.g. plaster, paint, mouldings | | 33305 | | | | | | | | | | | | | | | | | |
| 10. Size of one component | | 0.40 x 0.20 x 0.10 m | | | | | | | | | | | | | | | | | |
| 11. Bonding material | | sandy silt | | | | | | | | | | | | | | | | | |
| 12. Excavated | | Yes <input checked="" type="radio"/> No <input type="radio"/> Not excavated | | | | | | | | | | | | | | | | | |
| Mini stratigraphic matrix | | Abuts: 33042 Same as: | | | | | | | | | | | | | | | | | |
| <table border="0"> <tr> <td><input type="checkbox"/></td> <td>33304</td> <td>33317</td> </tr> <tr> <td></td> <td> </td> <td></td> </tr> <tr> <td></td> <td>33303</td> <td></td> </tr> <tr> <td></td> <td> </td> <td></td> </tr> <tr> <td><input type="checkbox"/></td> <td>33042</td> <td><input type="checkbox"/></td> </tr> </table> | | <input type="checkbox"/> | 33304 | 33317 | | | | | 33303 | | | | | <input type="checkbox"/> | 33042 | <input type="checkbox"/> | Abutted by: Associated features: | | |
| <input type="checkbox"/> | 33304 | 33317 | | | | | | | | | | | | | | | | | |
| | | | | | | | | | | | | | | | | | | | |
| | 33303 | | | | | | | | | | | | | | | | | | |
| | | | | | | | | | | | | | | | | | | | |
| <input type="checkbox"/> | 33042 | <input type="checkbox"/> | | | | | | | | | | | | | | | | | |
| | | Bonded into: | | | | | | | | | | | | | | | | | |
| | | Contiguous with: | | | | | | | | | | | | | | | | | |
| Discussion and interpretation: | | | | | | | | | | | | | | | | | | | |
| <p>It's E-W mudbrick wall formed the spaces or rooms ¹¹²⁹⁷ 48 and ¹¹²⁹⁷ 52 to the north and spaces ¹¹²⁸⁷ 52 and ¹¹²⁸⁸ 48 to the south the wall was built in two headers side by side until 2.7m from the east after that one headers from its south and one stretch from north.</p> | | | | | | | | | | | | | | | | | | | |

Remember: do not just draw the architectural feature in isolation. Show how it relates to surrounding features and include details of surface treatments, repairs/modifications/damage, bonding material(s), and associated cuts. Annotate all aspects of the feature or use a Drawing Key. Measurements must be included for all aspects of the feature and surrounding features.

Sketch Plan - Include grid co-ordinates, North arrow, and elevations.



Profile Sketch - State direction the elevation of the feature being drawn is facing e.g. 'West Facing Elevation of Feature If feature was drawn in section then include the grid co-ordinates and elevations.

| | | | |
|----------------|---|----------------|----------------|
| Drawing No.'s: | 2012-1 11287 11296 11297 11288 11294 | Photo No.'s: | 512472, 512473 |
| Space No.: | 52, 57, 53, 48, 49 | Structure No.: | house C |
| Matrix Group: | | Matrix Phase: | 4b |
| Samples taken: | | | |