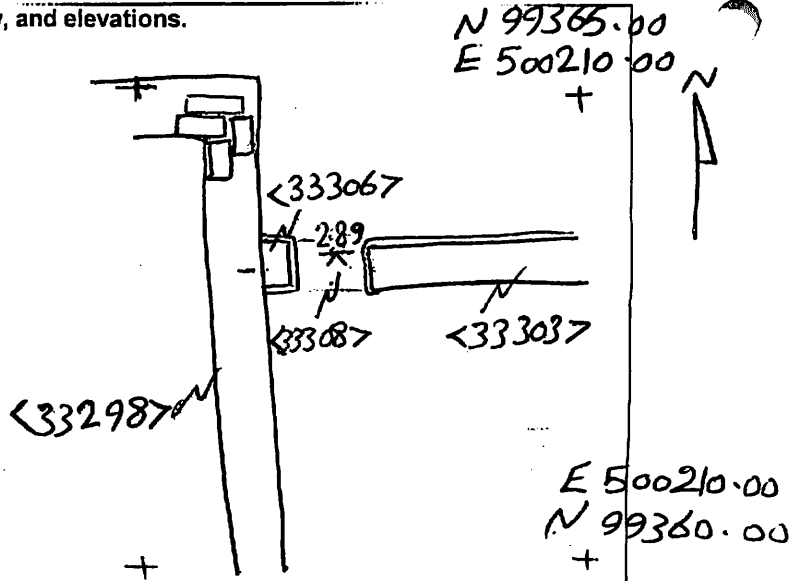


AREA: Kkt.N	GRID SQUARE (S): 201 E 16	GRID CO-ORDINATES: E 500210.00 N 99365.00	INITIALS & DATE: SAER 23/2012	FEATURE No.: 33308
FEATURE TYPE (For example wall, staircase, bench, foundation structure, platform etc.): blocking event			Full extent visible in plan: <u>YES</u> / NO	
1. Dimensions (in metres)	Length: 0.60 m	Width: 0.40 m	Height: 0.05 m	
2. Type of material(s) used	mudbrick			
3. Coursing (form of construction)				
4. Orientation	E-W			
5. Associated collapse	—			
6. Cut & fill feature #'s	—			
7. Repaired?	—			
8. Associated floors	—			
9. Surface treatments? E.g. plaster, paint, mouldings	—			
10. Size of one component	0.4x0.2x0.1 m			
11. Bonding material				
12. Excavated	<u>Yes/No</u>			
Mini stratigraphic matrix 		Abuts: <33306>, <33303> Same as: Abutted by: Associated features: Bonded into: Contiguous with:		
Discussion and interpretation: It is a blocking event of mud brick but eroded it is located between spaces 112944811288				

Remember: do not just draw the architectural feature in isolation. Show how it relates to surrounding features and include details of surface treatments, repairs/modifications/damage, bonding material(s), and associated cuts. Annotate all aspects of the feature or use a Drawing Key. Measurements must be included for all aspects of the feature and surrounding features.

Sketch Plan - Include grid co-ordinates, North arrow, and elevations.

289
 TBM: 26.47
 B.S. 0.43
 Loc. 26.90
 FS RL
 1.78 25.12



Profile Sketch - State direction the elevation of the feature being drawn is facing e.g. 'West Facing Elevation of Feature If feature was drawn in section then include the grid co-ordinates and elevations.

Drawing No.'s: 2012-1	Photo No.'s: 512472, 73
Space No.: 48 , 49 11294-11288	Structure No.: house(C)
Matrix Group:	Matrix Phase: 6
Samples taken:	