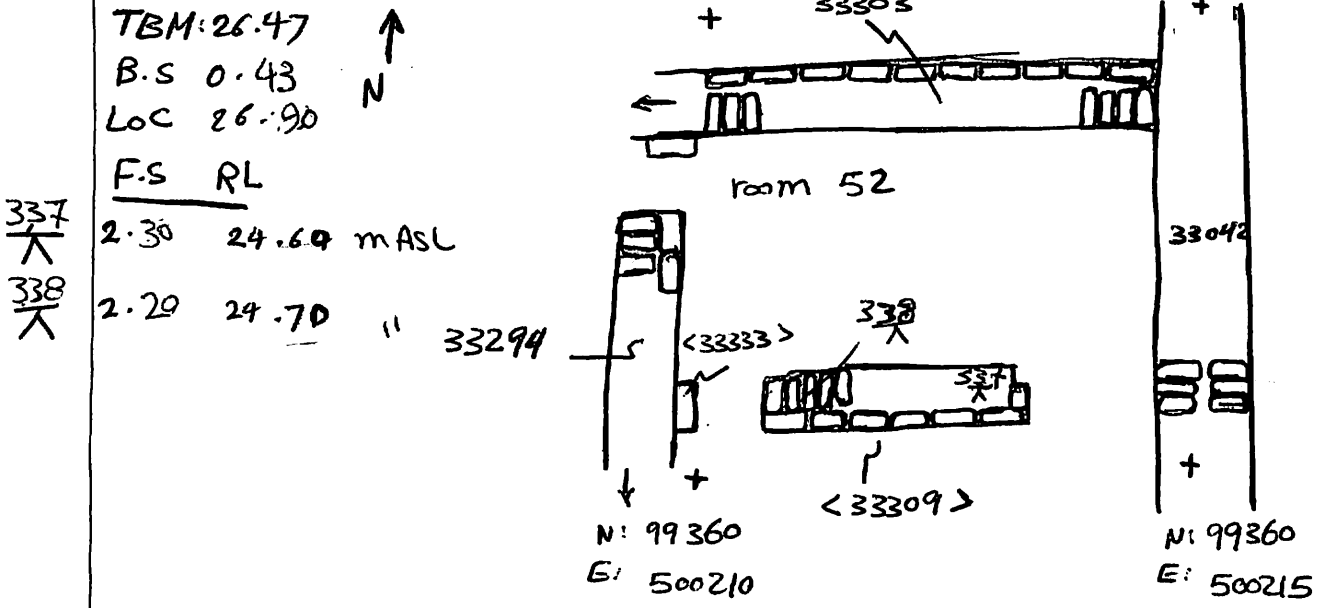


AREA: KKT-N	GRID SQUARE (S): 201E17	GRID CO-ORDINATES: E N	INITIALS & DATE: EMS 23/2012	FEATURE No.: 33309															
FEATURE TYPE (For example wall, staircase, bench, foundation structure, platform etc.): wall			Full extent visible in plan: <input checked="" type="radio"/> YES / NO																
1. Dimensions (in metres)		Length: 3.30 m	Width: 0.6 m	Height: 0.03															
2. Type of material(s) used		mudbrick (Mile clay)																	
3. Coursing (form of construction)		the northern side along the wall is headers and the southern side is stretcher																	
4. Orientation		E-W																	
5. Associated collapse		-																	
6. Cut & fill feature #'s		-																	
7. Repaired?		-																	
8. Associated floors		-																	
9. Surface treatments? E.g. plaster, paint, mouldings		plastered on the northern face (33315)																	
10. Size of one component		0.4 m by 0.2 m																	
11. Bonding material		Sandy silt																	
12. Excavated		Yes/No Not Excavated																	
Mini stratigraphic matrix			Abuts: Same as:																
<table border="0"> <tr> <td><input type="checkbox"/></td> <td><input type="checkbox" value="33315"/></td> <td><input type="checkbox"/></td> </tr> <tr> <td></td> <td> </td> <td></td> </tr> <tr> <td></td> <td><input type="checkbox" value="33309"/></td> <td></td> </tr> <tr> <td><input type="checkbox"/></td> <td> </td> <td><input type="checkbox"/></td> </tr> <tr> <td><input type="checkbox"/></td> <td><input type="checkbox"/></td> <td><input type="checkbox"/></td> </tr> </table>			<input type="checkbox"/>	<input type="checkbox" value="33315"/>	<input type="checkbox"/>					<input type="checkbox" value="33309"/>		<input type="checkbox"/>		<input type="checkbox"/>	<input type="checkbox"/>	<input type="checkbox"/>	<input type="checkbox"/>	Abutted by: Associated features:	
<input type="checkbox"/>	<input type="checkbox" value="33315"/>	<input type="checkbox"/>																	
	<input type="checkbox" value="33309"/>																		
<input type="checkbox"/>		<input type="checkbox"/>																	
<input type="checkbox"/>	<input type="checkbox"/>	<input type="checkbox"/>																	
			Bonded into:																
			Contiguous with:																
Discussion and interpretation:																			
E-W mudbrick wall represented the southern boundary of room 11287 and the northern boundary of room 11286																			

Remember: do not just draw the architectural feature in isolation. Show how it relates to surrounding features and include details of surface treatments, repairs/modifications/damage, bonding material(s), and associated cuts. Annotate all aspects of the feature or use a Drawing Key. Measurements must be included for all aspects of the feature and surrounding features.

Sketch Plan - Include grid co-ordinates, North arrow, and elevations.



Profile Sketch - State direction the elevation of the feature being drawn is facing e.g. 'West Facing Elevation of Feature If feature was drawn in section then include the grid co-ordinates and elevations.

Drawing No.'s: 2012-1	Photo No.'s: 512474, 512475
Space No.: 52, 11286-11287	Structure No.: C
Matrix Group:	Matrix Phase: 4b
Samples taken:	