

AREA: KKT-N	GRID SQUARE (S): 201 E17	GRID CO-ORDINATES: E N	INITIALS & DATE: HAAA 23/11/2012	FEATURE No.: 33310
-----------------------	------------------------------------	------------------------------	--	------------------------------

FEATURE TYPE (For example wall, staircase, bench, foundation structure, platform etc.): blocking event	Full extent visible in plan: <input checked="" type="radio"/> YES / <input checked="" type="radio"/> NO No
--	--

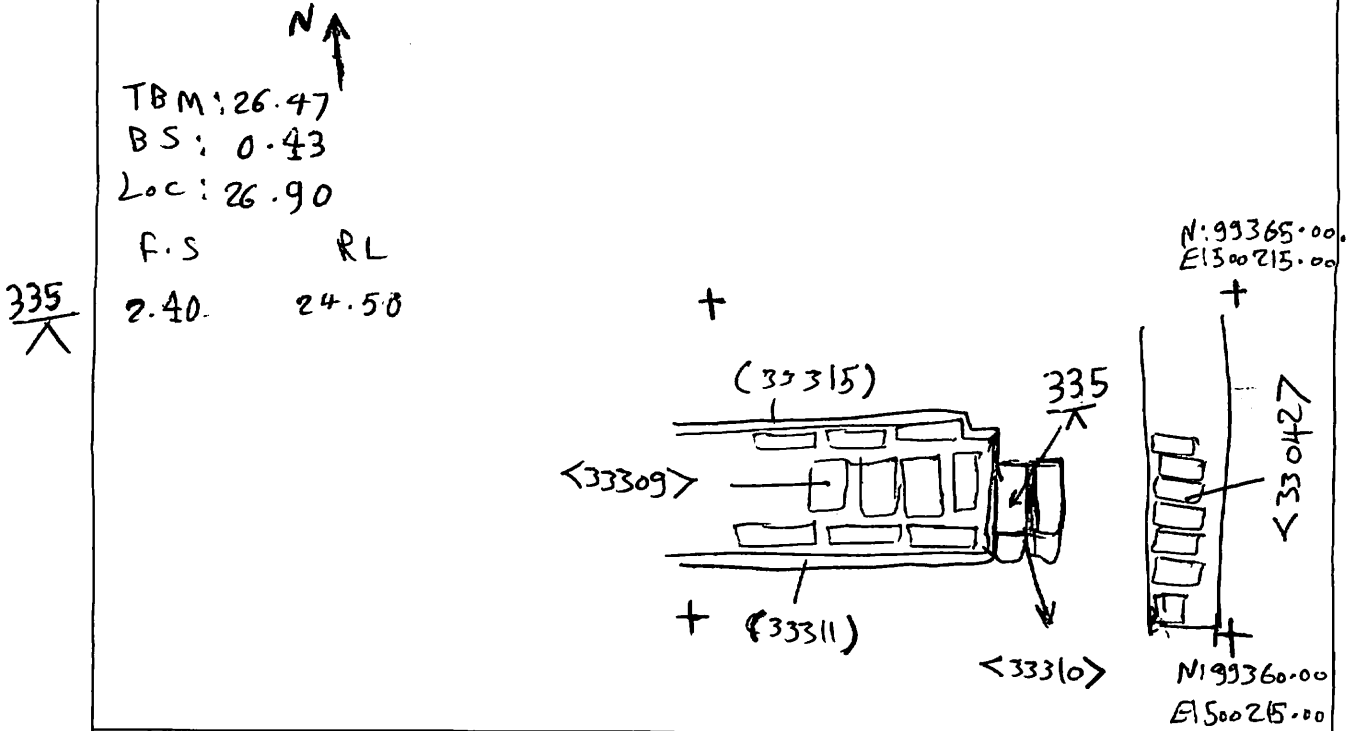
1. Dimensions (in metres)	Length: 0.55m	Width: 0.15m	Height: 0.05m
2. Type of material(s) used	mud brick		
3. Coursing (form of construction)	Two courses header of mud brick		
4. Orientation	E-W		
5. Associated collapse	-		
6. Cut & fill feature #'s	-		
7. Repaired?	-		
8. Associated floors	-		
9. Surface treatments? E.g. plaster, paint, mouldings	-		
10. Size of one component	0.55m x 0.15m		
11. Bonding material	sandy silt		
12. Excavated	Yes/No NOT EXCAVATED		

Mini stratigraphic matrix <pre> graph TD A[] --- B[33310] B --- C[33311] C --- D[33309] </pre>	Abuts: <33309> Same as: Abutted by: Associated features: Bonded into: Contiguous with:
--	---

Discussion and interpretation:
 It is a blocking event made of mud brick, but it is not full extended to see it (in complete unit) and located between ~~11286~~ 11286 - 11287

Remember: do not just draw the architectural feature in isolation. Show how it relates to surrounding features and include details of surface treatments, repairs/modifications/damage, bonding material(s), and associated cuts. Annotate all aspects of the feature or use a Drawing Key. Measurements must be included for all aspects of the feature and surrounding features.

Sketch Plan - Include grid co-ordinates, North arrow, and elevations.



Profile Sketch - State direction the elevation of the feature being drawn is facing e.g. 'West Facing Elevation of Feature If feature was drawn in section then include the grid co-ordinates and elevations.

Drawing No.'s: 2012-1	Photo No.'s: 512474, 512475
Space No.: 51 - 52 11286-11287	Structure No.: House C
Matrix Group:	Matrix Phase: 6
Samples taken:	