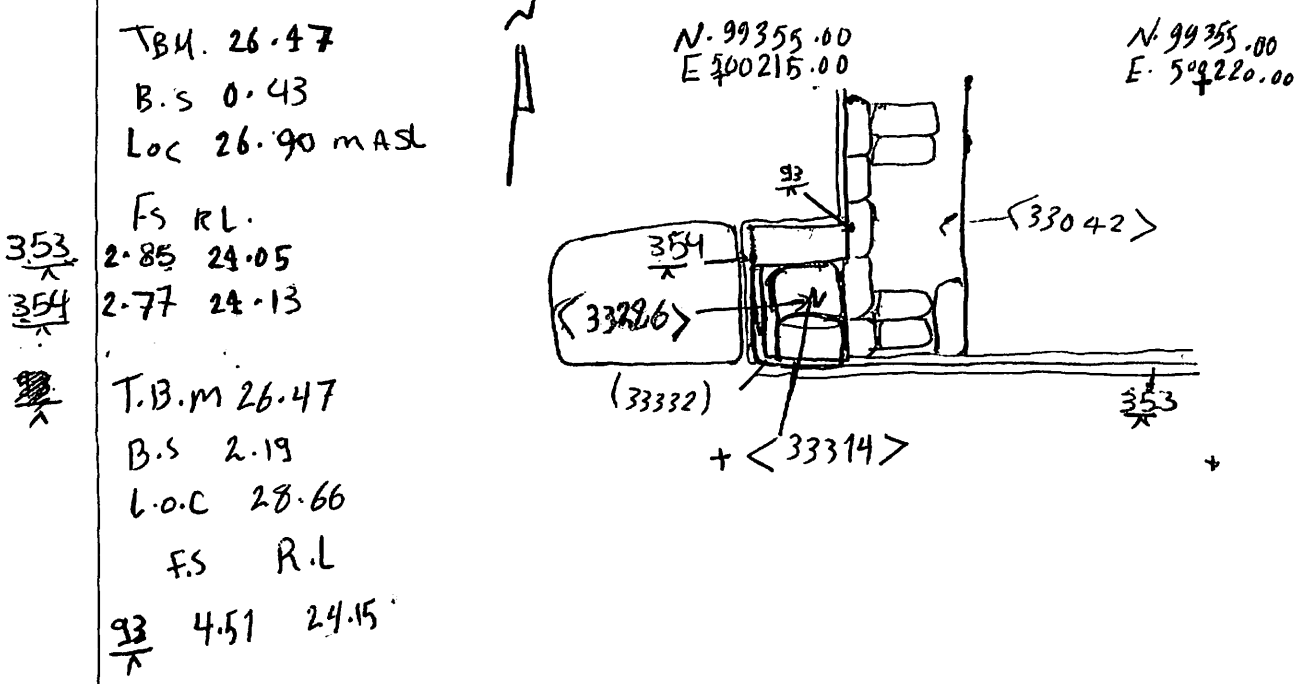


AREA: KKT-N	GRID SQUARE (S): 201.C18	GRID CO-ORDINATES: E N	INITIALS & DATE: MFMH	FEATURE No.: 33314															
FEATURE TYPE (For example wall, staircase, bench, foundation structure, platform etc.): doorTamb			Full extent visible in plan: <input checked="" type="radio"/> YES / NO																
1. Dimensions (in metres)		Length: 0.90 m	Width: 0.20 m	Height: 0.85 m															
2. Type of material(s) used		mudbrick																	
3. Coursing (form of construction)		two ^{one} courses of mud brick																	
4. Orientation		N-S																	
5. Associated collapse		-																	
6. Cut & fill feature #'s		-																	
7. Repaired?		-																	
8. Associated floors		-																	
9. Surface treatments? E.g. plaster, paint, mouldings		plastered by (33332)																	
10. Size of one component		0.40 m X 0.20 m																	
11. Bonding material		Sandy silt																	
12. Excavated		Yes/No Not excavated																	
Mini stratigraphic matrix		Abuts: <33042> Same as:																	
<table border="1" style="width: 100%; text-align: center;"> <tr> <td style="width: 30%; height: 20px;"></td> <td style="width: 30%; border: 1px solid black;">33332</td> <td style="width: 30%; height: 20px;"></td> </tr> <tr> <td></td> <td style="border: 1px solid black;"> </td> <td></td> </tr> <tr> <td></td> <td style="border: 1px solid black;">33314</td> <td></td> </tr> <tr> <td></td> <td style="border: 1px solid black;"> </td> <td></td> </tr> <tr> <td></td> <td style="border: 1px solid black;">33042</td> <td></td> </tr> </table>			33332						33314						33042		Abutted by: <33286> Associated features:		
	33332																		
	33314																		
	33042																		
		Bonded into:																	
		Contiguous with:																	
Discussion and interpretation:																			
<p>it is a doorTamb of mudbrick, it measure 0.90m X 0.20m, it abuts <33042> and abuted by <33286>, it is coated by (33332)</p> <p>it is clear that the southern part of the doorTamb is eroded. where as the Crushed limestone appers.</p> <p>it seems to be one course headers stretchers and located between the room 11286 and the southern street.</p>																			

Remember: do not just draw the architectural feature in isolation. Show how it relates to surrounding features and include details of surface treatments, repairs/modifications/damage, bonding material(s), and associated cuts. Annotate all aspects of the feature or use a Drawing Key. Measurements must be included for all aspects of the feature and surrounding features.

Sketch Plan - Include grid co-ordinates, North arrow, and elevations.



Profile Sketch - State direction the elevation of the feature being drawn is facing e.g. 'West Facing Elevation of Feature If feature was drawn in section then include the grid co-ordinates and elevations.

Drawing No.'s: 2012-1	Photo No.'s: 512489
Space No.: 11286	Structure No.: house C
Matrix Group:	Matrix Phase: 4b
Samples taken:	