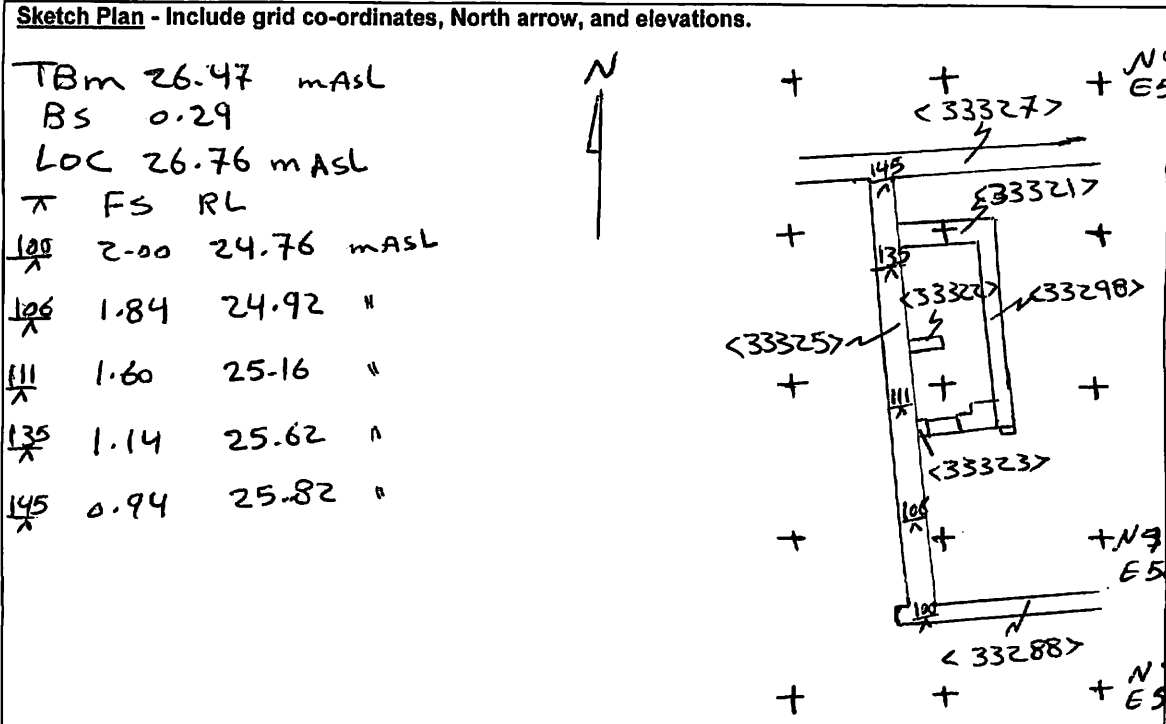


AREA: KKT-N	GRID SQUARE (S): 201 C15, D15 201 E15, F15	GRID CO-ORDINATES: E N	INITIALS & DATE: SAER 23i 2012	FEATURE No.: 33325									
FEATURE TYPE (For example wall/staircase, bench, foundation structure, platform etc.): wall			Full extent visible in plan: <input checked="" type="radio"/> YES / NO										
1. Dimensions (in metres)	Length: 13.70 m	Width: 0.90 m	Height: 0.20 m										
2. Type of material(s) used	mudbrick												
3. Coursing (form of construction)	three courses												
4. Orientation	N-S												
5. Associated collapse	-												
6. Cut & fill feature #'s	-												
7. Repaired?	-												
8. Associated floors	-												
9. Surface treatments? E.g. plaster, paint, mouldings	plastered by (33290)												
10. Size of one component	0.40m X 0.20m												
11. Bonding material	Sandy silt												
12. Excavated	Yes/No <input checked="" type="radio"/> not excavated												
Mini stratigraphic matrix		Abuts: Same as:											
<table border="1"> <tr> <td>33321</td> <td>33290</td> <td>33323</td> </tr> <tr> <td></td> <td>33325</td> <td></td> </tr> <tr> <td></td> <td></td> <td></td> </tr> </table>		33321	33290	33323		33325					Abutted by: <33321> Associated features: <33322> <33323> Bonded into: <33327> <33288> Contiguous with:		
33321	33290	33323											
	33325												
Discussion and interpretation:													
<p>N-S mud brick wall Formed the western boundary of house (C) - it bonded into the northern boundary of the house &lt;33327&gt; and the southern boundary of the house &lt;33288&gt; -</p> <p>It was Formed the western boundary of spaces 11289, 11293, 11292, and 11291 -</p> <p>The middle part of this wall consist of two courses headers and the ends of the wall consist of three courses, the outline of the stretcher and between them one course header. The east face coated with crushed tafla plaster (33290) -</p>													

Remember: do not just draw the architectural feature in isolation. Show how it relates to surrounding features and include details of surface treatments, repairs/modifications/damage, bonding material(s), and associated cuts. Annotate all aspects of the feature or use a Drawing Key. Measurements must be included for all aspects of the feature and surrounding features.



**Profile Sketch** - State direction the elevation of the feature being drawn is facing e.g. 'West Facing Elevation of Feature .... If feature was drawn in section then include the grid co-ordinates and elevations.

Drawing No.'s: 2012-1	Photo No.'s: 512458
Space No.: 11289, 11293, 11292, 11291	Structure No.: house(C)
Matrix Group:	Matrix Phase: 4a
Samples taken:	