

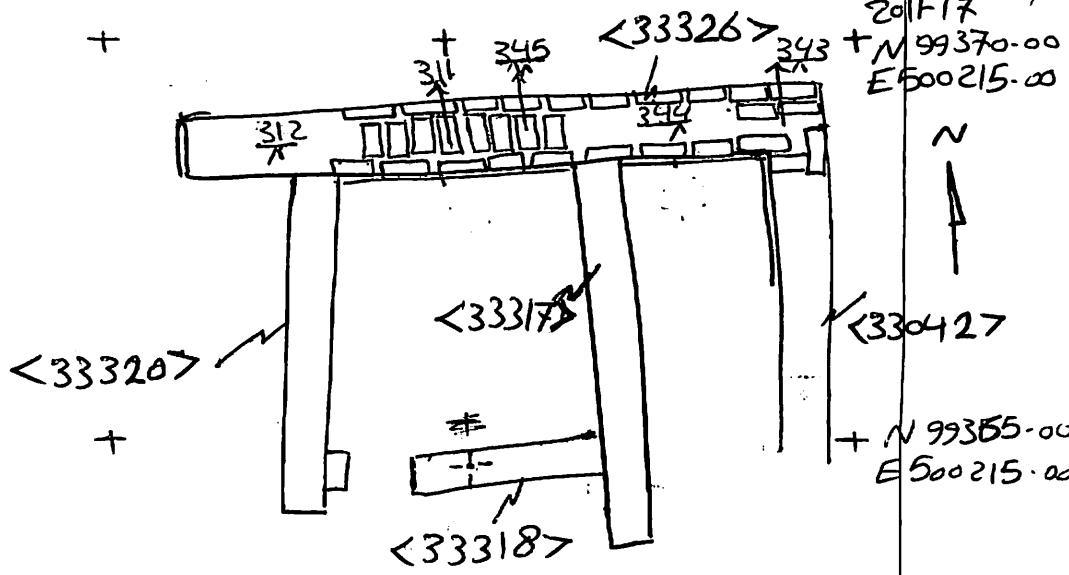
AREA: KKT-N	GRID SQUARE (S): 201 F 16,17	GRID CO-ORDINATES: E N	INITIALS & DATE: SAER 23/2012	FEATURE No.: 33326
FEATURE TYPE (For example wall, staircase, bench, foundation structure, platform etc.): wall			Full extent visible in plan: YES / NO	
1. Dimensions (in metres)		Length: 7.43m	Width: 0.80m	Height: 0.25m
2. Type of material(s) used		mudbrick		
3. Coursing (form of construction)		three courses		
4. Orientation		E-W		
5. Associated collapse		—		
6. Cut & fill feature #'s		—		
7. Repaired?		—		
8. Associated floors		—		
9. Surface treatments? E.g. plaster, paint, mouldings		(33329), (33330)		
10. Size of one component		40cm x 20cm		
11. Bonding material		sandy silt		
12. Excavated		Yes/No No		
Mini stratigraphic matrix <del>33320</del> 33329     33328 33326 [ ]     [ ]     [ ]		Abuts: Same as: Abutted by: <33317>, <33320> Bonded into: <33042> Contiguous with:		
Discussion and interpretation: E-w mudbrick wall formed the contiguous with <33327> northern boundary of house c. It consist of three courses from the north and south side stretchers and middle is headers. It formed the northern boundary of spaces: (11296-11295) This wall bonded into <33042> and abutted by <33317> and <33320>				

Remember: do not just draw the architectural feature in isolation. Show how it relates to surrounding features and include details of surface treatments, repairs/modifications/damage, bonding material(s), and associated cuts. Annotate all aspects of the feature or use a Drawing Key. Measurements must be included for all aspects of the feature and surrounding features.

**Sketch Plan** - Include grid co-ordinates, North arrow, and elevations.

TBm 26.47  
 BS 0.43  
 Loc 26.90 mASL

	FS	RL
312	1.43	25.47
311	1.55	25.35
343	1.78	25.12
344	1.85	25.25
345	1.59	25.31



**Profile Sketch** - State direction the elevation of the feature being drawn is facing e.g. 'West Facing Elevation of Feature .... If feature was drawn in section then include the grid co-ordinates and elevations.

Drawing No.'s: 2012-1	Photo No.'s: 512647
Space No.: 11296-11295	Structure No.: house (C)
Matrix Group:	Matrix Phase: 4a
Samples taken:	