

AREA: Kkt-N	GRID SQUARE (S): 201C15 201D15	GRID CO-ORDINATES: E N	INITIALS & DATE: SAER 1ii 2012	FEATURE No.: 33468
----------------	--------------------------------------	------------------------------	--------------------------------------	-----------------------

FEATURE TYPE (For example wall, staircase, bench, foundation structure, platform etc.): Silo	Full extent visible in plan: <input checked="" type="radio"/> YES / NO
---	---

1. Dimensions (in metres)	Length: inside diameter 1.45m outside diameter 1.90m	Width:	Height: 0.05m
2. Type of material(s) used	mud brick		
3. Coursing (form of construction)	one course		
4. Orientation	-		
5. Associated collapse	-		
6. Cut & fill feature #'s	-		
7. Repaired?	-		
8. Associated floors	-		
9. Surface treatments? E.g. plaster, paint, mouldings	-		
10. Size of one component	0.40m X 0.20m		
11. Bonding material	sandy silt		
12. Excavated	Yes <input type="radio"/> No <input checked="" type="radio"/> Not excavated		

Mini stratigraphic matrix <table style="width: 100%; border-collapse: collapse;"> <tr> <td style="border: 1px solid black; width: 20px; height: 20px;"></td> <td style="border: 1px solid black; width: 40px; height: 20px; text-align: center;">33470</td> <td style="border: 1px solid black; width: 20px; height: 20px;"></td> </tr> <tr> <td></td> <td style="border: 1px solid black; width: 40px; height: 20px; text-align: center;">33468</td> <td></td> </tr> <tr> <td style="border: 1px solid black; width: 20px; height: 20px;"></td> <td style="border: 1px solid black; width: 40px; height: 20px; text-align: center;">33514</td> <td style="border: 1px solid black; width: 20px; height: 20px;"></td> </tr> </table>		33470			33468			33514		Abuts: <33514> Same as: Abutted by: <33470> Associated features: Bonded into: Contiguous with:
	33470									
	33468									
	33514									

Discussion and interpretation:
 Circular mudbrick silo, it consists of one row it supported from the north by mud brick wall <33470> and from the south by two mud brick units <33514> it located between space (11299) and space (11304)

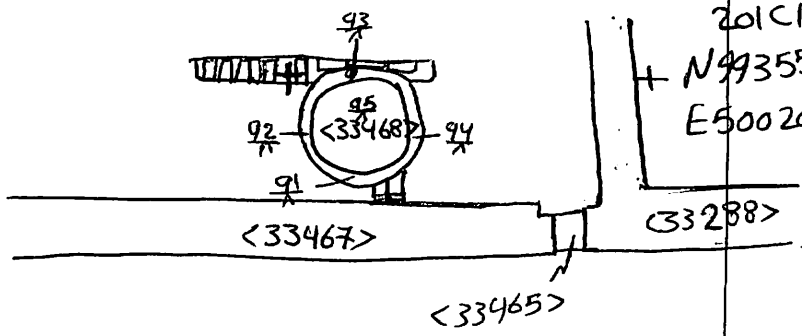
Remember: do not just draw the architectural feature in isolation. Show how it relates to surrounding features and include details of surface treatments, repairs/modifications/damage, bonding material(s), and associated cuts. Annotate all aspects of the feature or use a Drawing Key. Measurements must be included for all aspects of the feature and surrounding features.

Sketch Plan - Include grid co-ordinates, North arrow, and elevations.

TBm 26.47 mASL
 BS 0.29
 LOC 26-76 mASL

FS RL

91	1.77	24.99	mASL
92	1.79	24.97	"
93	1.73	25.03	"
94	1.83	24.93	"
95	1.85	24.91	"



+ N 99350.00
 E 500205.00

Profile Sketch - State direction the elevation of the feature being drawn is facing e.g. 'West Facing Elevation of Feature If feature was drawn in section then include the grid co-ordinates and elevations.

Drawing No.'s: 2012-2	Photo No.'s: 512754, 512755
Space No.: 11299, 11304	Structure No.: house (B)
Matrix Group:	Matrix Phase: 4a
Samples taken:	