

AREA: KKT-N	GRID SQUARE (S): 201 C 15	GRID CO-ORDINATES: E N	INITIALS & DATE: SAER 11/2012	FEATURE No.: 334 69
----------------	------------------------------	------------------------------	-------------------------------------	------------------------

FEATURE TYPE (For example <u>wall</u> staircase, bench, foundation structure, platform etc.): <u>wall</u>	Full extent visible in plan: YES / <u>(NO)</u>
--	---

1. Dimensions (in metres)	Length: 4.20 m	Width: 0.65 m	Height: 0.05 m
---------------------------	-------------------	------------------	-------------------

2. Type of material(s) used	mudbrick
-----------------------------	----------

3. Coursing (form of construction)	—
------------------------------------	---

4. Orientation	N-S
----------------	-----

5. Associated collapse	—
------------------------	---

6. Cut & fill feature #'s	—
---------------------------	---

7. Repaired?	—
--------------	---

8. Associated floors	—
----------------------	---

9. Surface treatments? E.g. plaster, paint, mouldings	—
---	---

10. Size of one component	—
---------------------------	---

11. Bonding material	—
----------------------	---

12. Excavated	Yes <input type="radio"/> No <input checked="" type="radio"/> <u>Not excavated</u>
---------------	--

Mini stratigraphic matrix <table style="border-collapse: collapse; margin-left: 20px;"> <tr> <td style="border: 1px solid black; width: 40px; height: 20px;"></td> <td style="border: 1px solid black; width: 40px; height: 20px; text-align: center;">33496</td> <td style="border: 1px solid black; width: 40px; height: 20px;"></td> </tr> <tr> <td></td> <td style="border: 1px solid black; width: 40px; height: 20px; text-align: center;">33469</td> <td></td> </tr> <tr> <td style="border: 1px solid black; width: 40px; height: 20px;"></td> <td style="border: 1px solid black; width: 40px; height: 20px; text-align: center;">33470</td> <td style="border: 1px solid black; width: 40px; height: 20px;"></td> </tr> </table>		33496			33469			33470		Abuts: <33470>      Same as: Abutted by <33496>      Associated features: Bonded into: Contiguous with:
	33496									
	33469									
	33470									

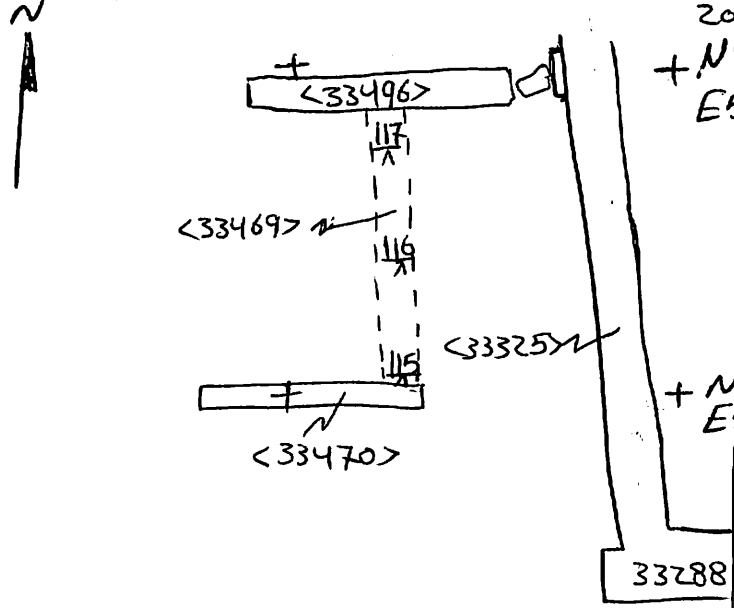
Discussion and interpretation:  
 Remain of S-N mudbrick wall abuts the Northern shoulder of the silo. It is very badly eroded it located between space (11300), and space (11302)

Remember: do not just draw the architectural feature in isolation. Show how it relates to surrounding features and include details of surface treatments, repairs/modifications/damage, bonding material(s), and associated cuts. Annotate all aspects of the feature or use a Drawing Key. Measurements must be included for all aspects of the feature and surrounding features.

Sketch Plan - Include grid co-ordinates, North arrow, and elevations.

TBm 26.47 mASL  
 BS 0.29  
 Loc 26.76 mASL

π	F5	RL	
117	1.57	25.19	mASL
118	1.66	25.10	"
115	1.73	25.03	"



Profile Sketch - State direction the elevation of the feature being drawn is facing e.g. 'West Facing'. Elevation of Feature .... If feature was drawn in section then include the grid co-ordinates and elevations.

Drawing No.'s: 2012-2	Photo No.'s: 512752, 512753
Space No.: 11300, 11302	Structure No.: house(B)
Matrix Group:	Matrix Phase: 5
Samples taken:	