

TEL DOR

19 87

field

G

square

A.J.3.4

phase (in area):

LOCUS

Card 1
L9.1.03

date opened

09/07/87

level

16.21

date closed

15/07/87

level

156.7

floor level

type of locus

DRAIN

loci above

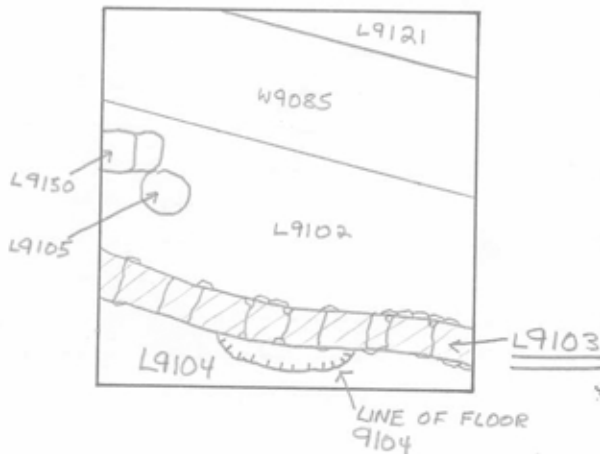
9094

loci below

9137

sealed by

graphic description



final locus no.

arch. unit / logical area

stage (in sq.)

final STRATUM

Summary:

Description:

OPENED: WHEN DEFINED - ORIGINALLY THOUGHT TO BE A WALL.

DEFINITION/LIMITS: A DRAIN RUNNING EAST-WEST DIAGONALLY THROUGH AT34. BOUNDED ON THE NORTH BY [L9102] AND ON THE SOUTH BY [L9104].

MATRIX: DRAIN CONSTRUCTED OF ASHLARS ROUGHLY 20 x 50 x 50 CMS. A GREAT DEAL OF SMALL STONES WERE PACKED IN AROUND THE JOINS OF THE CAPSTONES TO THE SIDE WALLS. MATERIAL INSIDE DRAIN WAS DARK BROWN AND RICH WITH THE REMAINS OF ORGANIC GROWTH. NO DEFINITE BOTTOM WAS FOUND EXCEPT FOR A LAYER OF HARDER SOIL AT 156.7

RELATION TO OTHER ELEMENTS: DRAIN [9103] CUTS [L9104] AND [L9102]. DRAIN [9103] FLOATS ABOVE [L9137]. DRAIN [9103] CONNECTS WITH THE

MAIN NORTH/SOUTH DRAIN (9111) IN AT34. FLOOR [9086] COVERED THE DRAIN. THIS FLOOR REACHES [W9085]. IT IS PROBABLE THAT [W9085] AND [L9103] REPRESENT THE SAME PHASE OF CONSTRUCTION

PHOTO # 873509.22

873510.15

873510.23

873509.20

section

photos

J.2.89! This photo goes to AM34!

- reason for opening
- definition / limits
- reason for closing
- relation to other elements
- working photos, nos:
- publication photos
- architects permission



written by DENNIS C. STANFILL checked by J. Zorn

TEL DOR

19 87

field

G

square

AI.34

phase (in area):

LOCUS L 9103

date opened

05/08/87

level

L615W

date closed

05/08/87

level 15,69

L57.1

floor level

type of locus

Drain Channel

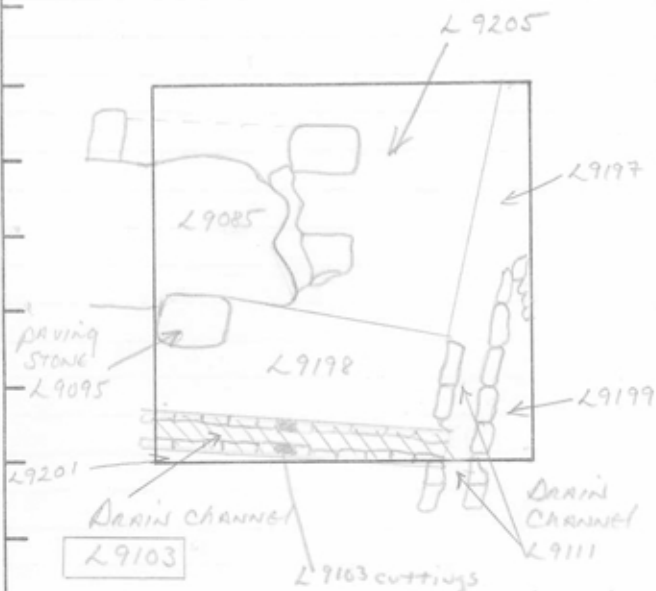
loci above

L9169

loci below

sealed by

graphic description



section

photos

- reason for opening
- definition / limits
- reason for closing
- relation to other elements
- working photos, nos: 873525.24
- publication photos
- architects permission

written by Michael Cass checked by J. Zorn

final locus no.

arch. unit / logical area

stage (in sq.)

final STRATUM

Summary:

Description:

Reason for opening: Drain channel [L9103] was opened as the final square operation of this season with dual purposes: first, to verify a possible conduit at its intersection with [L9111] in SE of AI.34, and second, to recover all drain contents, achieving end of season level in the process.

Definition/limits: Drain channel [L9103] lies between [L9198] N and [L9201] S; it intersects drain [L9111], and runs a slightly SE course easterly through AI.34 towards that intersection.

Reason for closing: post cleaning operation, end of excavation season.

Relation to other elements: Drain channel L9103 runs both [L9198] and [L9201] enroute to intersection with drain [L9111] [L9103] is joined to [L9111] by a small opening in the latter's W. wall.

Matrix: Material in this locus was extracted in two parts: material from covered and uncovered sections (uncovered - short middle section). The soil itself was fine light brown material containing few sherds, continuous through the channel. The channel construct is created

TEL DOR

1988

field

G

square

AK34

phase (in area):

Card 1 in AK34

Card 2 overall

LOCUS

L9.10.3

date opened

27/07/88

level

16.30

date closed

12/08/88

level of stones on
outside of drain

15.97

floor level of drain channel

E 15.83 - W 15.83

type of locus

Drain

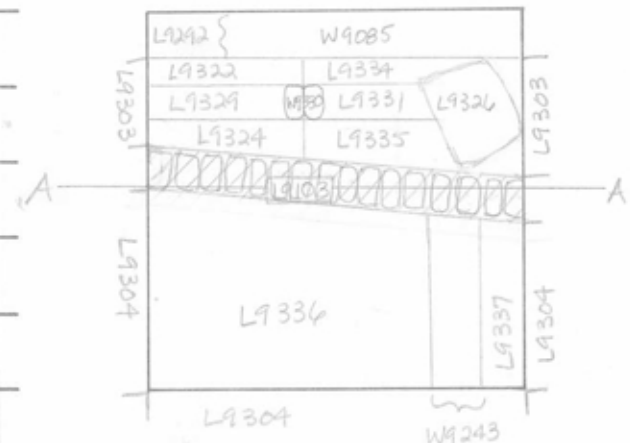
loci above

L9.29.2

loci below

sealed by

graphic description



section

See Back

photos

- reason for opening
- definition / limits
- reason for closing
- relation to other elements
- working photos, nos: 41310
- publication photos
- architects permission

written by A. Caprichecked by J. Zorn

final locus no.

arch. unit / logical area

stage (in sq.)

final STRATUM

Summary:

Description: Reason for Opening: Excavation revealed presence of drain [L9103].

Definition/Limits: [L9103] extends in an approximate E-W line across Square AK34, into the E & W baulks. [L9292] lies immediately above [L9103].

Reason for Closing: Excavation not Completed - End of Season

Relation to Other Elements: [L9292] lies immediately above [L9103]. [L9103] cuts [L9303], [L9324], & [L9335] to the N, & [L9304] & [L9325] to the S. [L9103] extends into the E & W baulks.

Note: A robber trench (L9323, L9329, & L9331) lies at a lower elevation immediately to the N of [L9103]

in Square AK34. Two stones of [W9330] remain in place in the robber trench, & these are of similar type & dimension as those used to construct drain [L9103].

Matrix: Medium brown, fine soil, containing few bones & tesserae, & numerous small fragments of largely non-indicative pottery.

TEL DOR

19 88

field

G

square

AL34/AL35

phase (in area):

LOCUS

19103

CARD 31

date opened

13/07/88

level

L638

date closed

/ /

level

L638

floor level

type of locus

DRAIN.

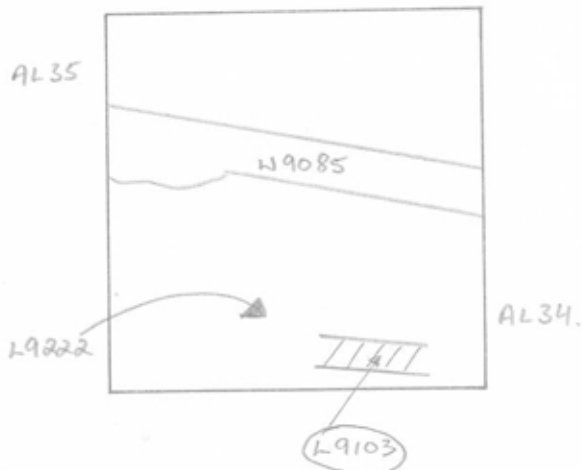
loci above

9222

loci below

sealed by

graphic description

↑
N

final locus no.

arch. unit / logical area

stage (in sq.)

final STRATUM

Summary:

Description:

OPEN : CAME DOWN ON (L9103) below [L9222]

MATRIX : ASHLAR BLOCKS, WITH CENTRAL DEPRESSION.

LIMITS : (L9103) IS ENTIRELY COVERED IN AL34
BY (L9222). DRAIN RUNS EAST/WEST.

CLOSING : SEASON'S END, LOCUS NOT CLOSED.

RELATIONS : [L9222] COVERS [L9103] BUT AT THE
PRESENT LEVEL OF EXCAVATION ONLY AN
ISOLATED PORTION OF THE DRAIN ISVISIBLE, AND IT IS NOT CLEAR WHETHER
MORE SECTIONS ARE IN SITU. (L9103)
CONTINUES EAST INTO AJ 34 (SEE CARD 1).
and West into AM 34. [L9103] cuts the unnumbered
fills to North and South.

section

photos

- reason for open
- definition / limit
- reason for close
- relation to other
- working photos
- publication photos
- architect's permission



41047

These photos are of AI34

written by J.M.P.

checked by J. Zern

LOCUS

L9103

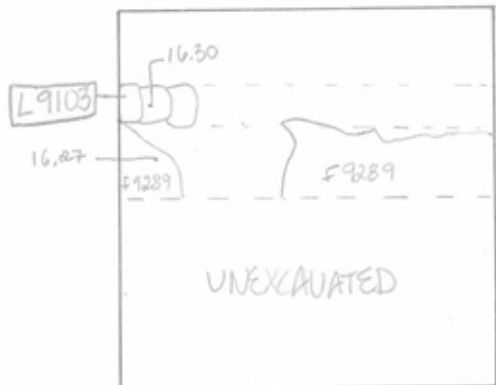
BASKET LIST

basket no.	level	str def	cont	R +	periods	comments
						NO BASKETS.

TEL DOR 19 88 field G square Am 3.4 phase (in area): LOCUS ^{Card 4} L 9103
 date opened 2.6/07/88 level 1630 date closed / / level floor level type of locus DRAIN
 loci above L 9289 loci below sealed by

graphic description

F 9250 / W 9272



section

final locus no. arch. unit / logical area stage (in sq.) final STRATUM

Summary:

Description: REASON FOR OPENING: UNCOVERED BUT UNEXCAVATED

DEFINITION/LIMITS: DRAIN [L 9103] RUNS EAST TO CONNECT WITH MAIN NORTH-SOUTH DRAIN (9111) IN SQUARE. A1 34. DRAIN A1 34 IS BELOW [L 9289].

MATRIX: TOP STONES ARE ASHLAR BLOCKS APPROX 35CM IN LENGTH AND 20CM IN WIDTH.

REASON FOR CLOSING: END OF SEASON, NOT CLOSED.

RELATION TO OTHER ELEMENTS: BELOW [L 9289] DRAIN [L 9103] PROBABLY WAS COVERED BY PLASTER FLOOR [L 9289] WHICH COVERS SOUTHERN PORTION

OF HALF SQUARE AM 34. PLASTER FLOOR JUST REACHES [L 9103] BEFORE IT DISAPPEARS. [L 9103] FIRST SHOWS UP IN SQ A1 34 WHERE IT CONNECTS WITH MAIN NORTH-SOUTH DRAIN (9111). POSSIBLY COVERED BY [F 9250 / W 9272] WHICH WAS UNCOVERED IN AM 55. [L 9103] CUTS THE LOCI/FLOWS TO EITHER SIDE, THESE WILL BE NUMBERED IF SQUARE IS EXCAVATED NEXT YEAR.

photos

- reason for opening
- definition / limits
- reason for closing
- relation to other elements
- working photos, nos: 41214
- publication photos
- architects permission

written by W. SWINSON

checked by J. Zorn

TEL DOR

19 89

field

G

square

A.K. 39

phase (in area):

CARD 3

LOCUS

L19103

date opened

27/07/88

level

L630

date closed

24/07/99

level

L567

floor level

L543 W L543

type of locus

DRAIN

loci above

L9292

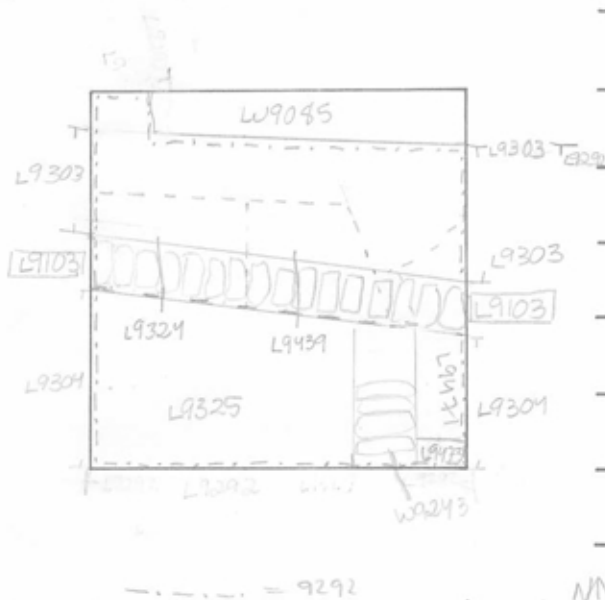
loci below

L9439

sealed by

L9471

graphic description



section

final locus no.

arch. unit / logical area

stage (in sq.)

final STRATUM

Summary:

Description:

REASON FOR OPENING: EXCAVATION REVEALED PRESENCE OF DRAIN [L9103]

MATRIX: MEDIUM GREY/BROWN FINE SOIL CONTAINING FEW BONES AND THICK PAG.

AVERAGE DIMENSIONS OF WALL STONES: 20 cm x 33 cm x 14 cm

AVERAGE DIMENSION OF CAP STONES: 33 cm x 25 cm x 14 cm

DEFINITION/LIMITS: COVERED BY [L9292] COVERS [L9324], [L9439], [L9471] BOUNDED BY E & W BALKS. BOUNDED ON S BY [L9304] & [L9325] ON N BY [L9303]

REASON FOR CLOSING: DRAIN [L9103] MATERIAL WAS EXCAVATED AND DRAIN REMOVED.

RELATIONS: COVERED BY [L9292] CUTS [L9303] TO THE N. & [L9304]

[L9325] TO THE S. EXTENDS INTO THE E & W BALKS. DEMONSTRATES [L9471] AND [L9337] ABOVE [L9103]

Note: [L9103] may possibly be cut into a N-S robber trench robbing [L9510]. All loci in E. end of Ak39 should be examined with this possibility in mind.

photos

- reason for opening
- definition / limits
- reason for closing
- relation to other elements
- working photos, nos:
- publication photos
- architects permission

written by W. SWANSON

checked by J. Zorn

as [9103]	Dor 19 [91]	Fld [G]	Sq [A.I.34]	Loc. type drain (CAD #2)
Open Date [11/07/91]	High at [1.5.7.6]	at [S.W]	Low at []	Seals: [L91047]
Close Date [11/07/91]	[1.6.5.8]	[S.W]	[]	Sealed by: []
Floor: type []	[]	[]	[]	Loci [9169]
Length [2.5]	Width [0.5]	Vol []	Drawn? [YES]	above []
Value []	Remove [11/07/91]	[]	[]	below []
Photo #(1) []	Photo #(2) []	[]	[]	Loci [91647]
Written by: [KAL]	Checked by: [JRZ]	[]	[]	[]

Unit	Phase	Stage	Stratum	PoM
------	-------	-------	---------	-----

Summary

Opened: Opened [9103] to remove drain and excavate sealed material [9647] below drain.

Limits (N) [9198]
 (S) [9201]
 (E) [9111] (drain intersection)
 (W) balk extending down into A34

Closed: Closed [9103] when drain's sidestones removed and earth floor cleaned.

Matrix: Drain [9103] has four rectangular edge stones along the northern edge and four stones with five smaller stones remaining to form the southern edge. Unlike drain [9111], [9103] doesn't have a cobbled floor but rather an earth floor. The 3 drainstones/capstones? at the SW corner of [9103] measure .5m x .3m.

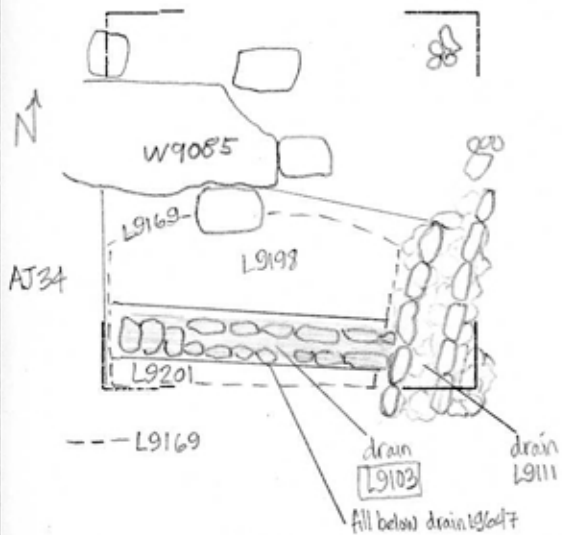
Relations: [9198] which covers the southern portion of A34 is cut by drain [9103] at the south edge of the square. [9198] is hard-packed yellow-brown soil containing kurbar and small stones. [9103] also cut [9201] which is the hard-packed yellow-brown soil south of the drain. At the SE corner of A34 [9103] reaches [9111] as they are part of the same Roman drainage system. Drain [9103] enters A34 at the SW corner of the square, .3m from the balk separating A34 and A34. [9103] probably cuts [9647] below it since [9103] had to be cut into the soil. [9103] is covered by [9169]. Since [9103] does not have a cobbled or plaster floor it can not be said to certainly seal [9647] below.

Additional Observations/Value: [9103] doesn't seal [9647] below because it doesn't have a cobbled floor as does [9111].

Locus

L 9103

Sketch plan



Photo

Photo

Section

Section