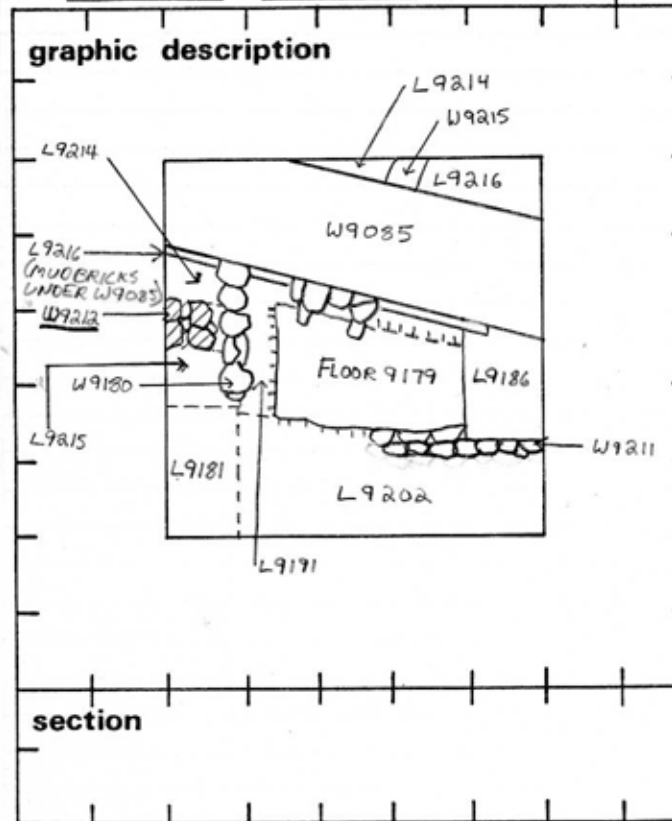


date opened 04/08/87 level 1466 date closed 05/08/87 level floor level type of locus WALL

loci above 9187 loci below sealed by



- photos
- reason for opening
 - definition / limits
 - reason for closing
 - relation to other elements
 - working photos, nos:
 - publication photos
 - architects permission
- written by DENNIS C. STANFILL checked by J. Zorn
etc

final locus no.	arch. unit / logical area	stage (in sq.)	final STRATUM
-----------------	---------------------------	----------------	---------------

Summary:

Description: OPENED: UPON DEFINITION OF STONES FORMING A CROSS-WALL TO WALL 9180

DEFINITION / LIMITS: ROUGH FIELDSTONE WALL DEFINED ON THE NORTH BY L9214 ON THE SOUTH BY L9215, ON THE EAST BY W9180 AND ON THE WEST BY THE WEST BAULK.

MATRIX: ROUGH FIELDSTONE WALL. ONLY 1 COURSE VISIBLE. STONES (AVG 35x25 CMS.) HELD TOGETHER BY MUD BRICK MATERIAL.

REASON FOR CLOSING: END OF 87 SEASON, NOT CLOSED.

RELATIONSHIP TO OTHER ELEMENTS: L9214 REACHES W9212. L9215 REACHES W9212. W9212 PROBABLY ABUTS W9180, BUT AT THIS POINT THERE IS A 10CM GAP BETWEEN THEM AND WE HAVE NOT BEEN ABLE TO EXCAVATE DOWN TO ESTABLISH A DEFINITE CONNECTION.

CARD 2
TEL DOR

1989

field

G

square

AJ3.4

phase (in area):

LOCUS

Card 2
W9.2.1.2

date opened

31/07/89

level

1466

date closed

31/07/89

level

1435

floor level

type of locus

WALL

loci above

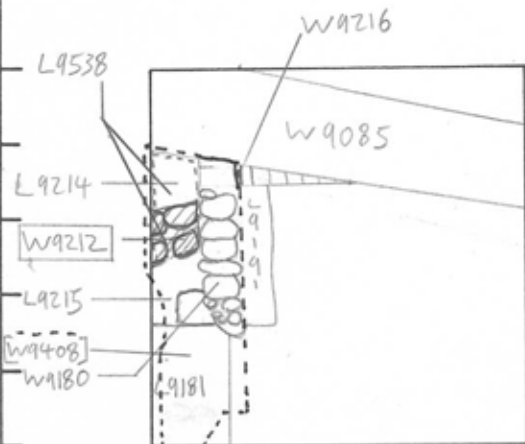
9.1.8.7

loci below

9.5.3.8

sealed by

graphic description



section

final locus no.

arch. unit / logical area

stage (in sq.)

final STRATUM

Summary:

Description: Opened: see Card #1

Definition/Limits: see card #1

Matrix: Rough fieldstone wall. 2 rows of stones, 1 course.

Stones avg. 30x30 cms. Set in and held together by mud brick material

Reason for Closing: removed in order to expose more of W9408.

Relationship to Other Elements: W9212 cuts L9214 and L9215.

W9212 abuts W9180. W9212 covers the southern half of L9538. L9214, L9215 and L9538 appear to be upper courses of W9408, which would mean that L9212 cuts W9408 also.

photos # 48468

- reason for opening
- definition / limits
- reason for closing
- relation to other elements
- working photos, nos:
- publication photos
- architects permission



written by John Yelding-Sloam checked by J. Zorn