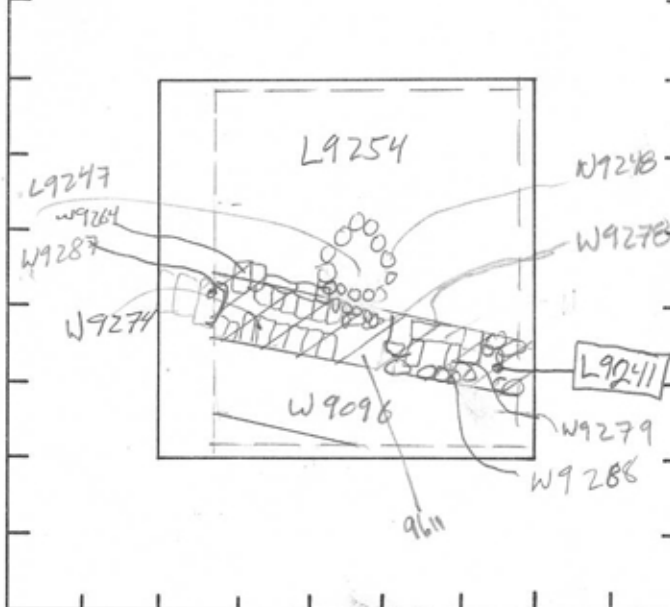


TEL DOR 1988 field 6 square A.H.3.3 phase (in area): LOCUS L9241

date opened 14/07/88 level 1604 date closed 19/07/88 level 1547 floor level \_\_\_\_\_ type of locus ROBBER TRENCH

loci above 9229 \_\_\_\_\_ loci below 9611 L9254 W9279 W9279 sealed by \_\_\_\_\_ W9278 W9288

graphic description final locus no. arch. unit / logical area stage (in sq.) final STRATUM



section

Summary:

Description: REASON FOR OPENING: DARK BLACK SOIL RUNNING PARALLEL

TO [W9096]. DIFFERENT FROM SOIL TO NORTH WHICH WAS LIGHT BROWN

DEFINITION/LIMITS: RUNS ON NORTH SIDE OF [W9096] FROM WEST TO EAST Baulks, ABOUT 75 cm WIDE.

MATRIX: THICK BLACK CLAYLIKE SOIL WITH LITTLE POTTERY.

REASON FOR CLOSING: REACHED BOTTOM OF TRENCH AND CAME DOWN ON [W9274] (EAST END) SIMULTANEOUSLY.

RELATION TO OTHER ELEMENTS: CUTS [L9240], SEPARATING IT FROM [W9096]. TRENCH OVERLAYS [W9274], [W9288], [W9278] AND [W9279]. PARTLY CUTS THROUGH [L9254].

Does NOT REACH [W9248]. ROBS WALLS [9274], [9278], [9279] AND MAYBE [W9287] AND [W9288].

DID NOT ROB [W9264]. TRENCH WAS PROBABLY CUT AFTER [W9096] WAS BUILT, SINCE [9096] HAS NO

FOUNDATION TRENCH SEPARATING IT FROM [L9241]

- photos
- reason for opening
  - definition / limits
  - reason for closing
  - relation to other elements
  - working photos, nos:
  - publication photos
  - architects permission
- written by R. Lindstrom checked by J. Zorn

