

|                          |                   |                          |                  |  |                 |                      |       |       |       |
|--------------------------|-------------------|--------------------------|------------------|--|-----------------|----------------------|-------|-------|-------|
| <b>Locus</b><br>L 9642   | <b>Dor 19</b> 9.1 | <b>Fld</b> 6             | <b>Sq</b> A.I.34 | <b>Loc. type</b><br>drain floor & material below |                 |                      |       |       |       |
| <b>Open</b> 1.1/07/91    | <b>Date</b>       | <b>High</b> 1.5.5.1      | <b>at</b> S.E    | <b>Low</b> . . .                                 | <b>at</b> . . . | <b>Seals:</b> L91051 | _____ | _____ | _____ |
| <b>Close</b> 1.2/07/91   |                   | <b>High</b> 1.5.4.1      | <b>at</b> S.E    | <b>Low</b> . . .                                 | <b>at</b> . . . | <b>Sealed by:</b>    | _____ | _____ | _____ |
| <b>Floor:</b> type       |                   | <b>Width</b> 1.0         |                  | <b>Vol</b> . . .                                 |                 | <b>Loci</b> 91111    | _____ | _____ | _____ |
| <b>Length</b> 3.1        |                   | <b>Remove</b> 1.2/07/91  |                  | <b>Drawn?</b> Y.E.S                              |                 | <b>above</b>         | _____ | _____ | _____ |
| <b>Value</b> 1.5         |                   |                          |                  |  |                 | <b>Loci</b> 91651    | _____ | _____ | _____ |
| <b>Photo #(1)</b>        |                   | <b>Photo #(2)</b>        |                  |  |                 | <b>below</b>         | _____ | _____ | _____ |
| <b>Written by:</b> K.A.L |                   | <b>Checked by:</b> J.R.Z |                  |  |                 |                      |       |       |       |

| Unit | Phase | Stage | Stratum | PoM |
|------|-------|-------|---------|-----|
|------|-------|-------|---------|-----|

**Summary**

**Opened:** [9642] opened to excavate cobbled floor and sealed material below drain [9111].

**Limits (N)** 9617  
**(S)** bulk extending down into AI33  
**(E)** 9697  
**(W)** 9647 and 9614

**Closed:** [9642] was closed when all drain floor cobbles from [9111] removed and [9642] was level with pit [9614] to the east. [9642], 9617, 9614 became 96051

**Matrix:** There was a high concentration of pot and shell sherds in the dark brown soil of [9642]. [9642]'s soil was identical to the pit soil west in 9614, soil in the bulk 9617, and also the soil north in 9617 which were all dark brown soils full of sherds. The soil in the northern portion of 9697 was unlike either [9642] or pit 9614 because it contained hard-packed mud brick.

**Relations:** [9642]'s cobbles cut 9614 at the west and 9697 at the east. The robber trench 9617 north of [9642] cuts drain 9111 and its floor [9642]. The lower part 9617 matches the matrix below the cobbles of 9642. This means that the robber trench in 9617 comes to an end before the bottom of 9642. \* The dirt below the cobbles, [9642], matches the pit material in 9614, 9617, at the north contains the same pit material, dark soil full of pottery and shell sherds, as 9614 below the cobbles. The material in the southern half of 9697 to the east of [9642] matches it and appears to be a continuation of pit 9614. Drain 9111 enters AI34 at the SE corner of AI34 from AI33 where the drain is also 9111. The material below 9111, [9642] may cut AI33's 9631 which is the material sealed by AI33's cobbles. [9642] and 96051 contain very different types of deposits. 9631 in AI33 contains Iron Age pottery and mud brick whereas 9642 contains a mixture of pottery from TRT through Roman; 9642 therefore cuts 9631 in AI33.

\* Thus the lower portion of 9617 is a continuation of the lower portion of 9614.

**Additional Observations/Value:** Drain [9111] by its floor cobbles [9642] seal a pit probably from the Persian period.

Locus Basket List

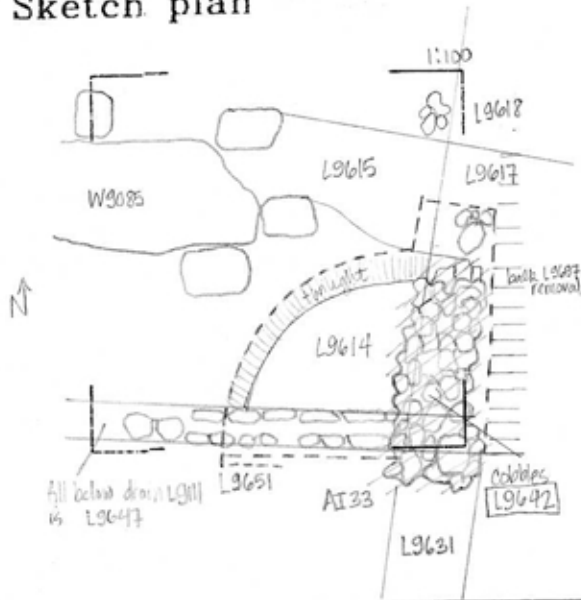
L 9642

| Bask. No.                        | Sq.  | Beg. Ele. | Clo. Ele. | St Df | Lc St | Ob | Ma | R | C | Pi | P2   | P3 |
|----------------------------------|------|-----------|-----------|-------|-------|----|----|---|---|----|------|----|
| 96235                            | AI34 | 15.71     | 15.64     | fm    |       | sh | cr | 2 | s | pr |      |    |
| 96238                            | AI34 | 15.64     | 15.51     | sa    |       | sh | cr | 2 | s | pr | ir2c | rm |
| 96239                            | AI34 | 15.55     | 15.55     | sa    |       | tw | br |   | s |    |      |    |
| Trilobate "Scythian" arrowhead.  |      |           |           |       |       |    |    |   |   |    |      |    |
| 96240                            | AI34 | 15.57     | 15.57     | sa    |       | ot | br |   | s |    |      |    |
| Bronze slag.                     |      |           |           |       |       |    |    |   |   |    |      |    |
| 96251                            | AI34 | 15.55     | 15.55     | sa    |       | tw | st |   | s |    |      |    |
| Grindstone for sharpening metal. |      |           |           |       |       |    |    |   |   |    |      |    |

Locus

L 9642

Sketch plan



Photo

Photo

Section

Section